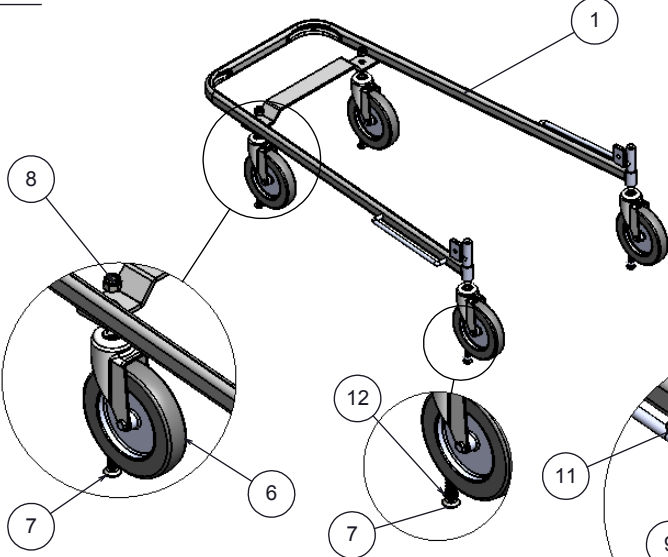


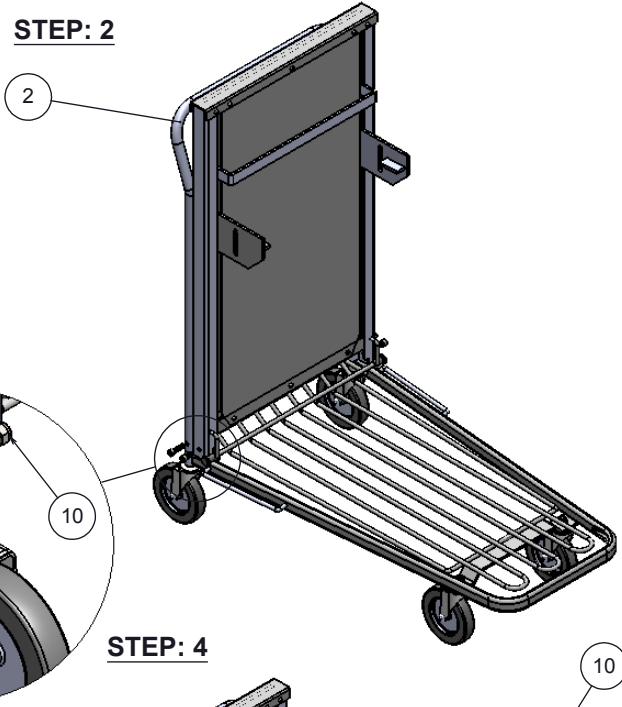
# ASSEMBLY INSTRUCTION

<p>1. Bottom 1 pc</p> 	<p>2. Frame 1 pc</p> 
<p>3. Top shelf 1pc</p> 	<p>4. Wire 8 1 pc</p> 
<p>5. Support 1 pc</p> 	<p>6. Wheel 125 Tente (without break) 4 pcs</p> 
<p>7. Bolt M10x30 4 pcs</p> 	<p>8. Locking nut M10 2 pcs</p> 
<p>9. Bolt M8x30 2 pcs</p> 	<p>10. Locking nut M8 8 pcs</p> 
<p>11. Bolt M8x20 4 pcs</p> 	<p>12. Locking washer M10 2 pcs</p> 
<p>13. Key6 1 pc</p> 	<p>14. Spanner 13&amp;17 2 pcs</p> 

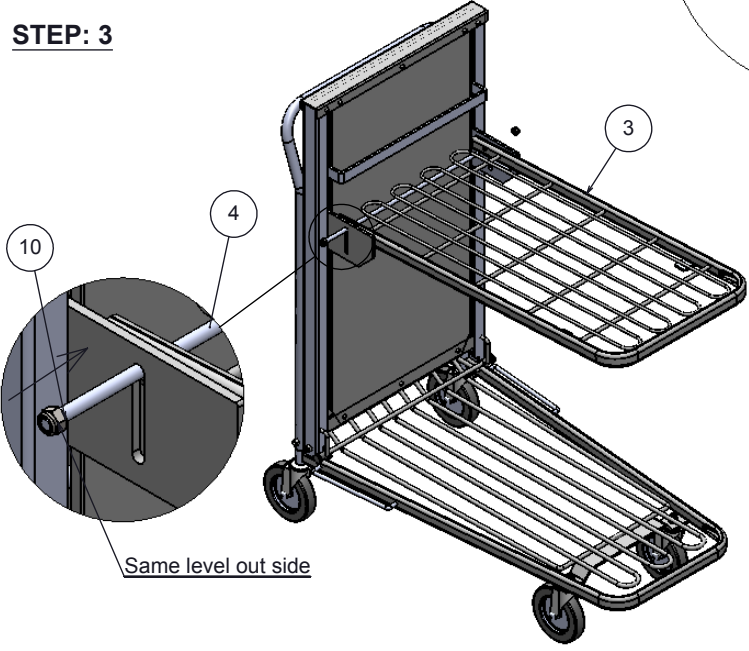
### STEP: 1



### STEP: 2



### STEP: 3



### STEP: 4

