

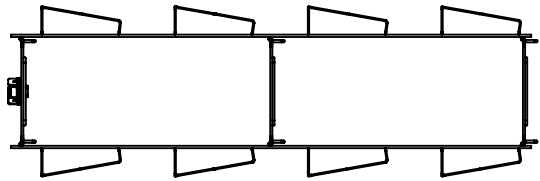
Remove the locking ring.

Insert the tube into the cross as illustrated in figure 1.

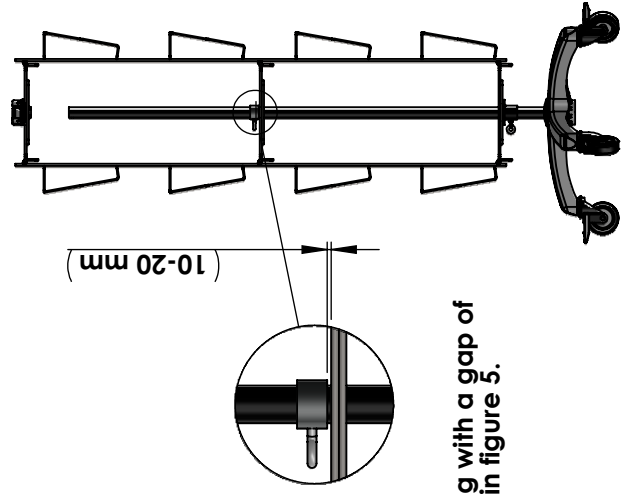
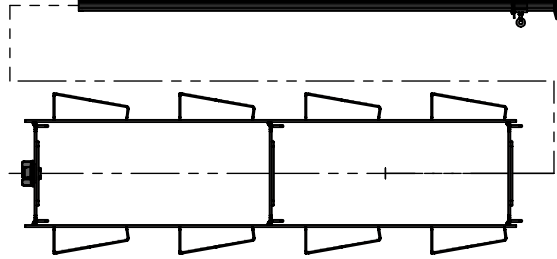
3

4

5

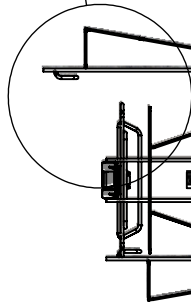


Mount part A on to the tube as illustrated in figure 4.

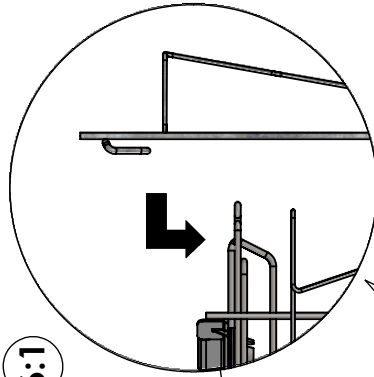


Remount the locking ring with a gap of 10-20 mm as illustrated in figure 5.

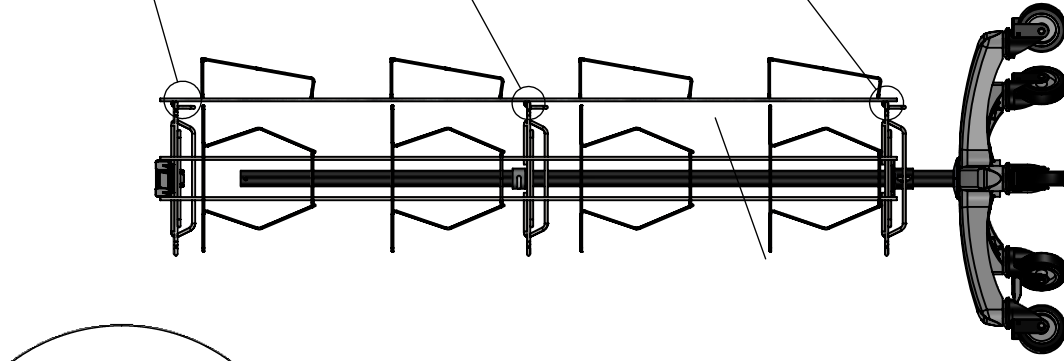
6



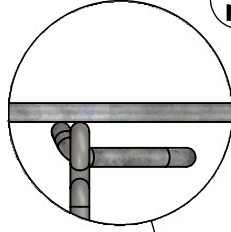
6:1



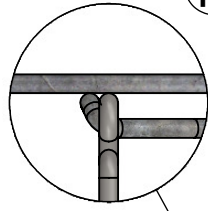
7



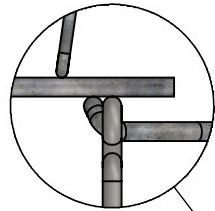
7:1



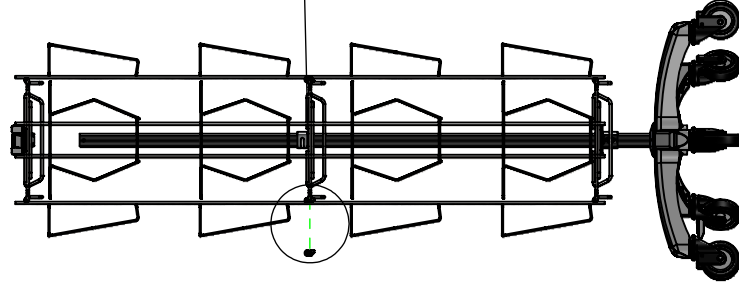
7:2



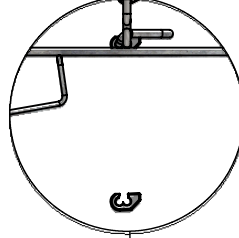
7:3



8



8:1



Mount the two remaining side panels (part B) as shown i figure 6-7.

Fix the two panels (part B) with the plastic clips (figure 8:1).