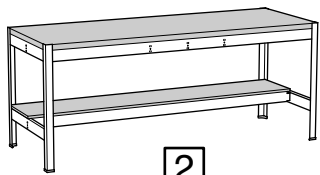


BS4040

1

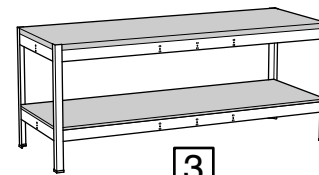


BS4040



BS2020

2

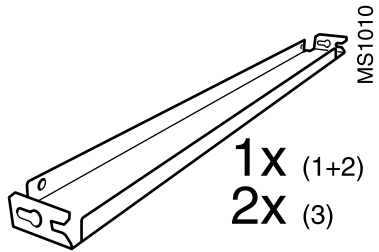


BS4040



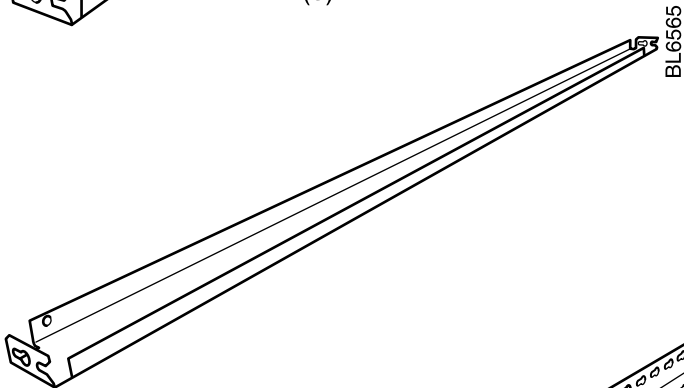
BS3030

3



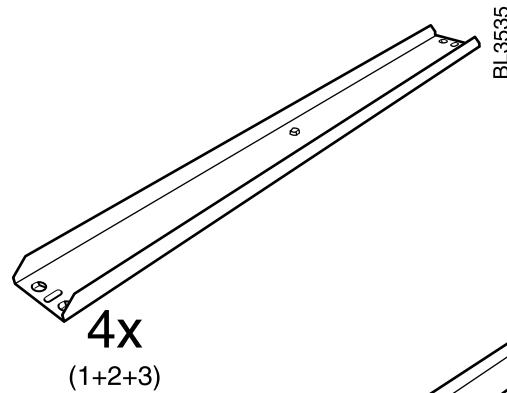
MS1010

1x (1+2)
2x (3)



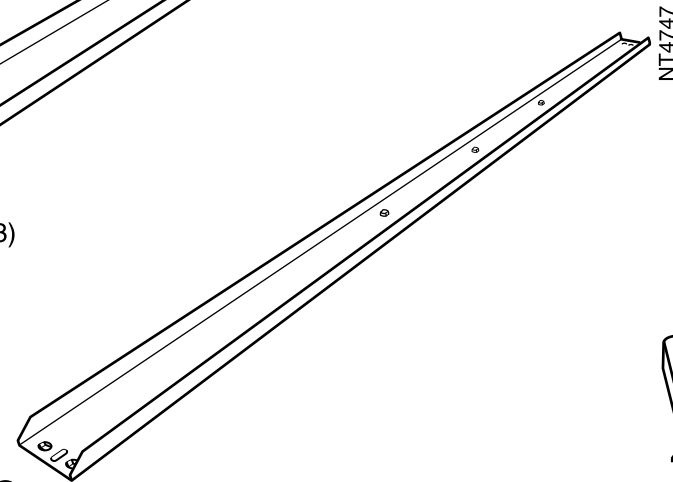
BL6565

1x
(1+2)



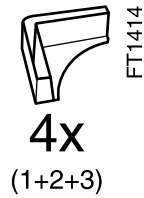
BL3535

4x
(1+2+3)



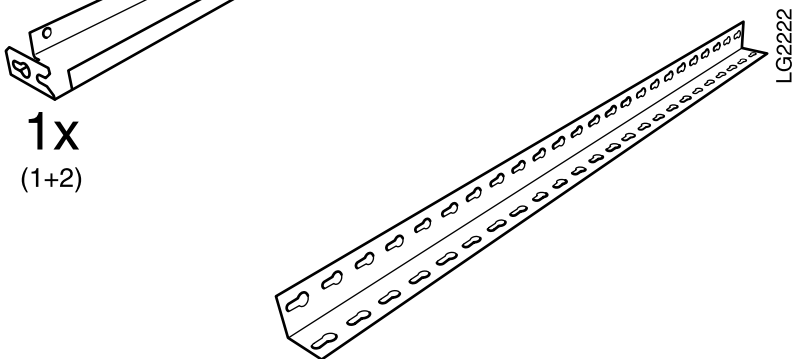
NT4747

2x (1)
3x (2)
4x (3)



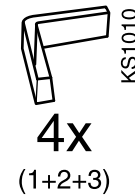
FT1414

4x
(1+2+3)



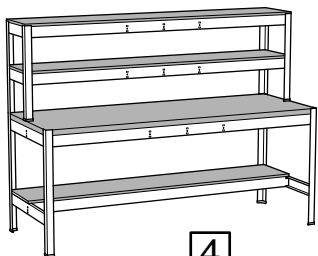
LG2222

4x
(1+2+3)







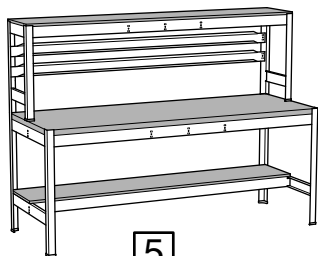
KS1010

4x
(1+2+3)






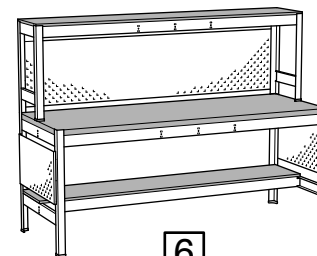
4

-  BS2020
-  BS2020
-  BS4040
-  BS2020






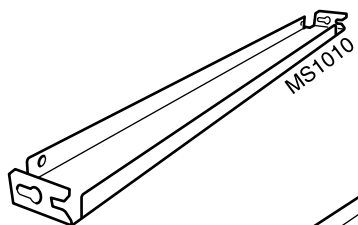
5

-  BS2020
-  BS4040
-  BS2020

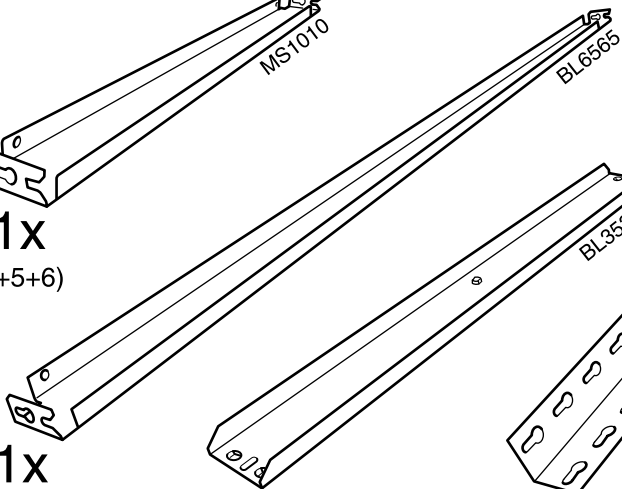


6

-  BS2020
-  BS4040
-  BS2020

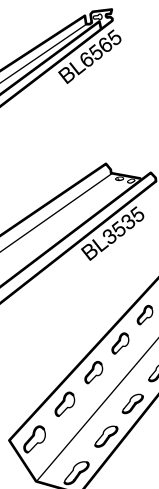


1x
(4+5+6)



1x
(4+5+6)

4x
(4+5+6)



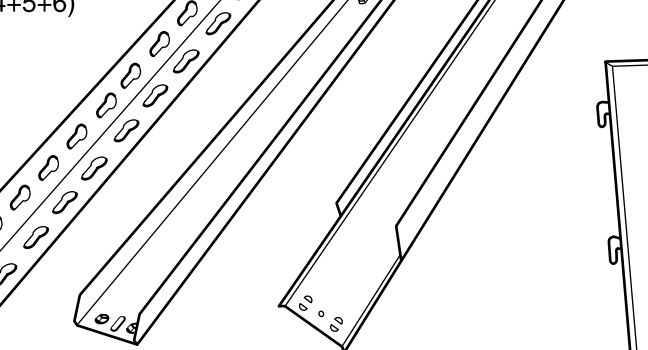
2x
(4+5+6)



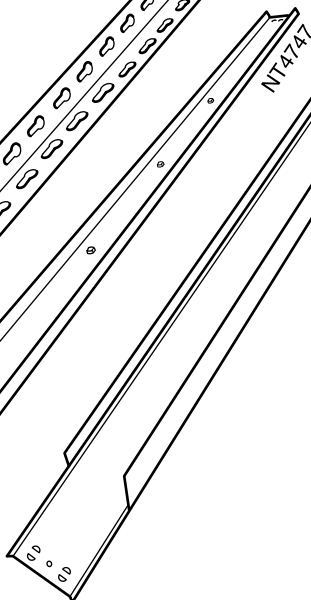
2x
(4+5+6)



2x
(4+5+6)



7x (4)
5x (5+6)



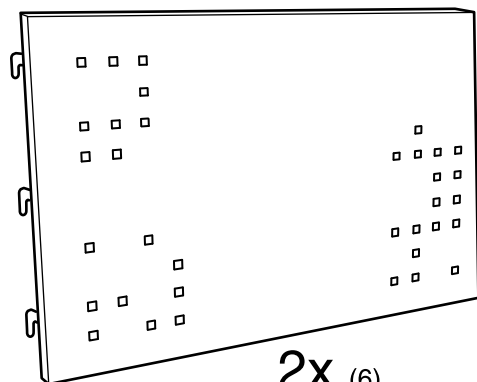
2x (5)



6x
(4+5+6)

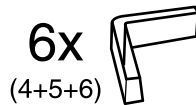


FT1414



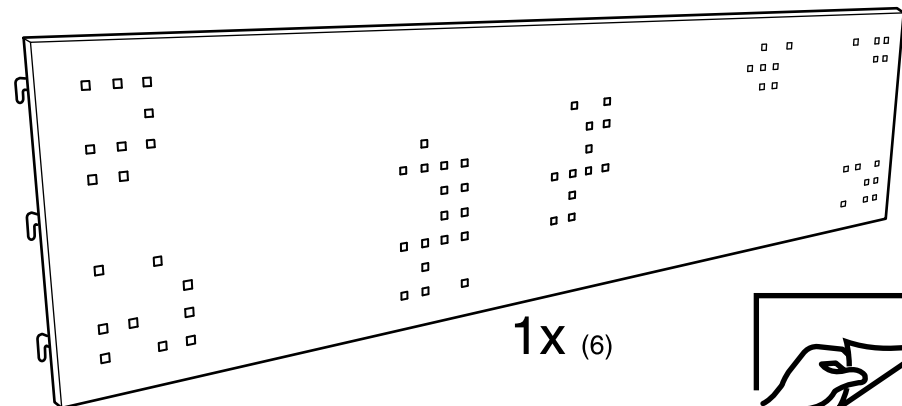
PW3030

2x (6)



6x
(4+5+6)

KS1010



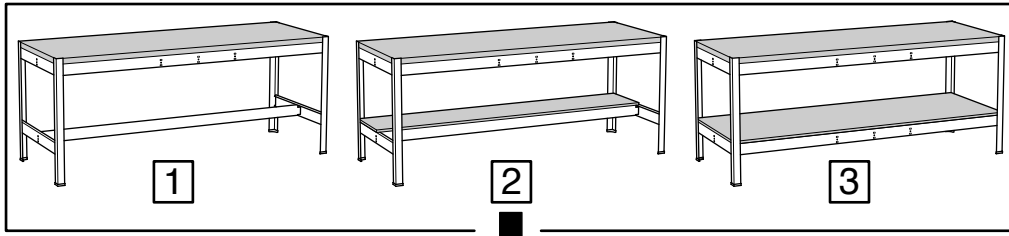
PW9090

1x (6)

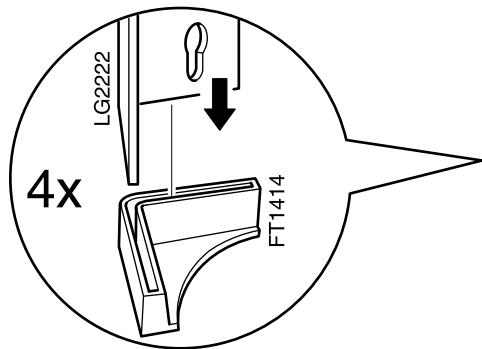
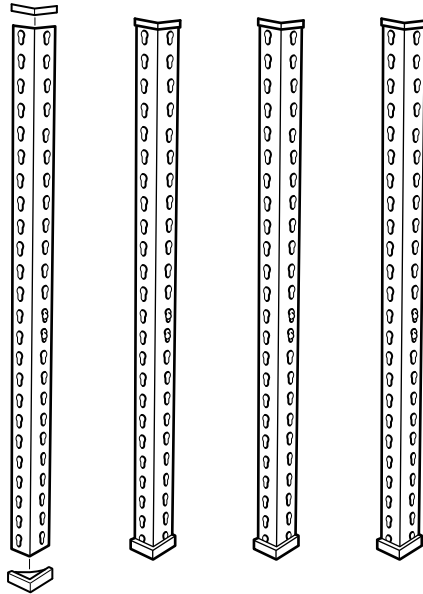
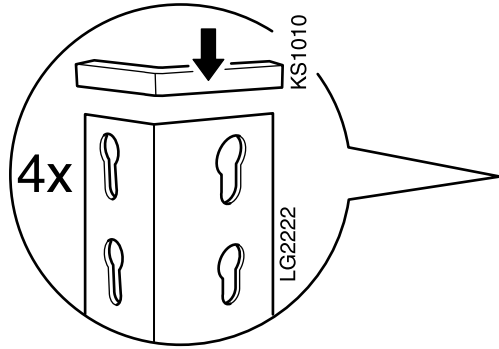


9

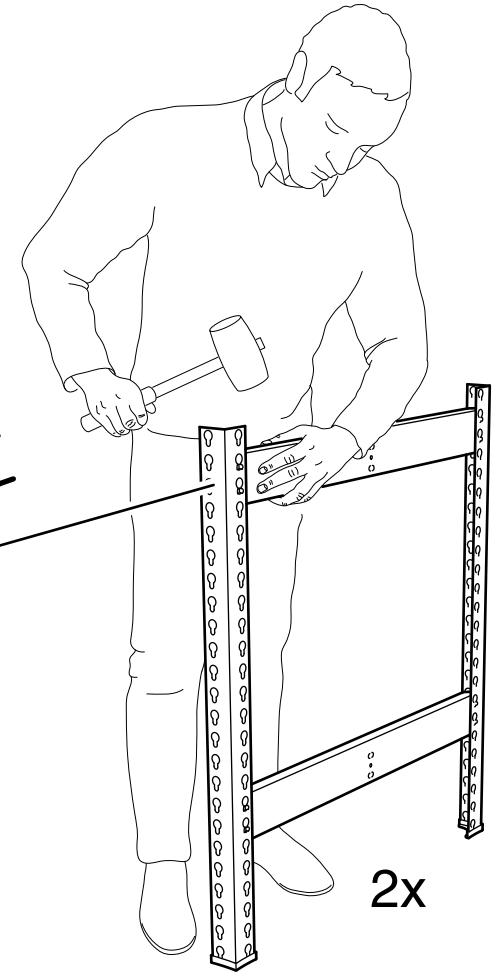
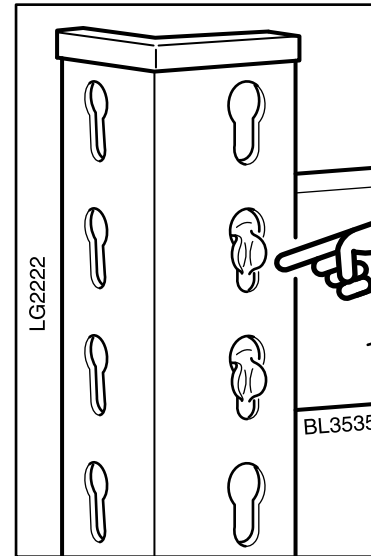
1



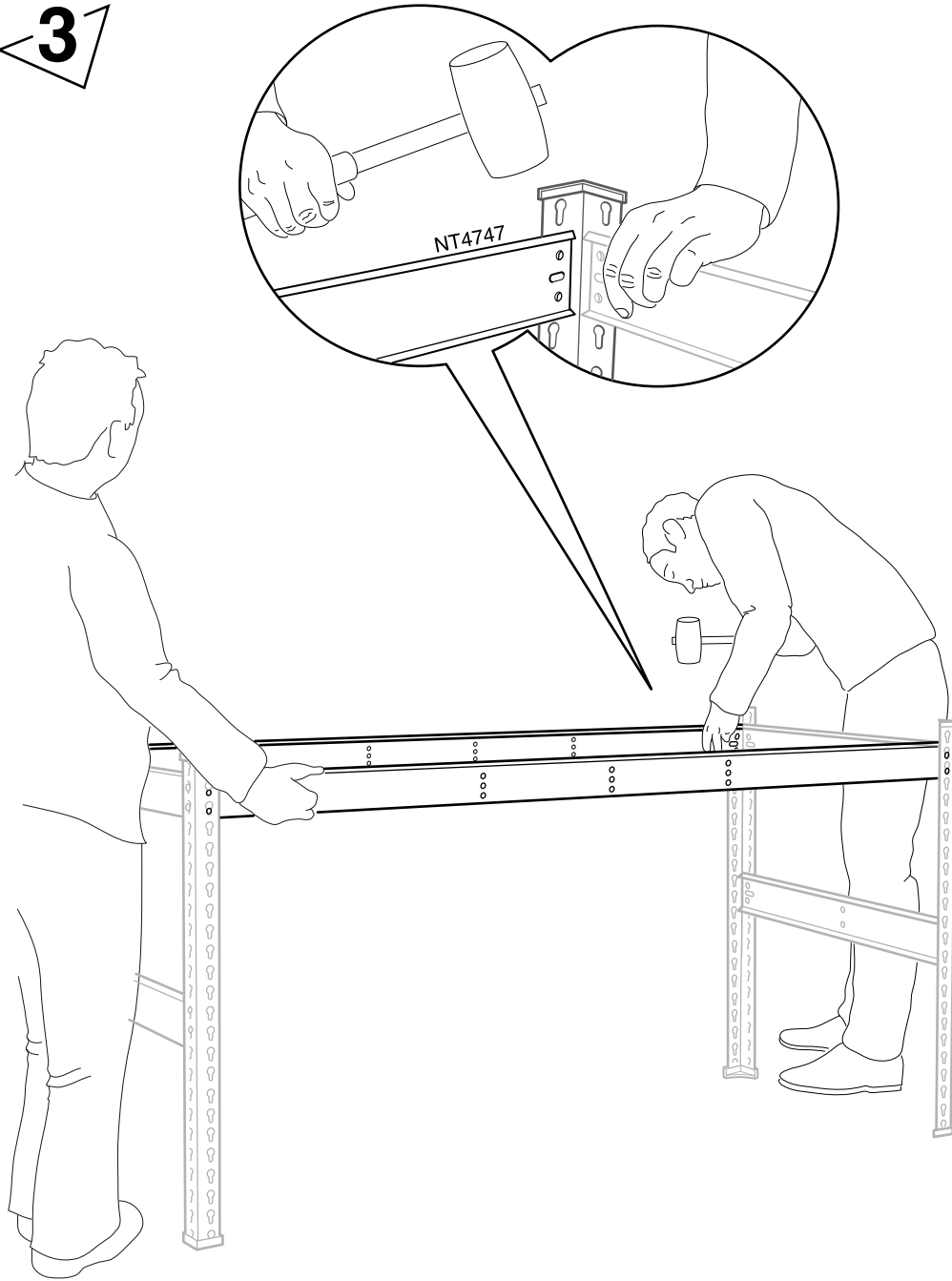
2



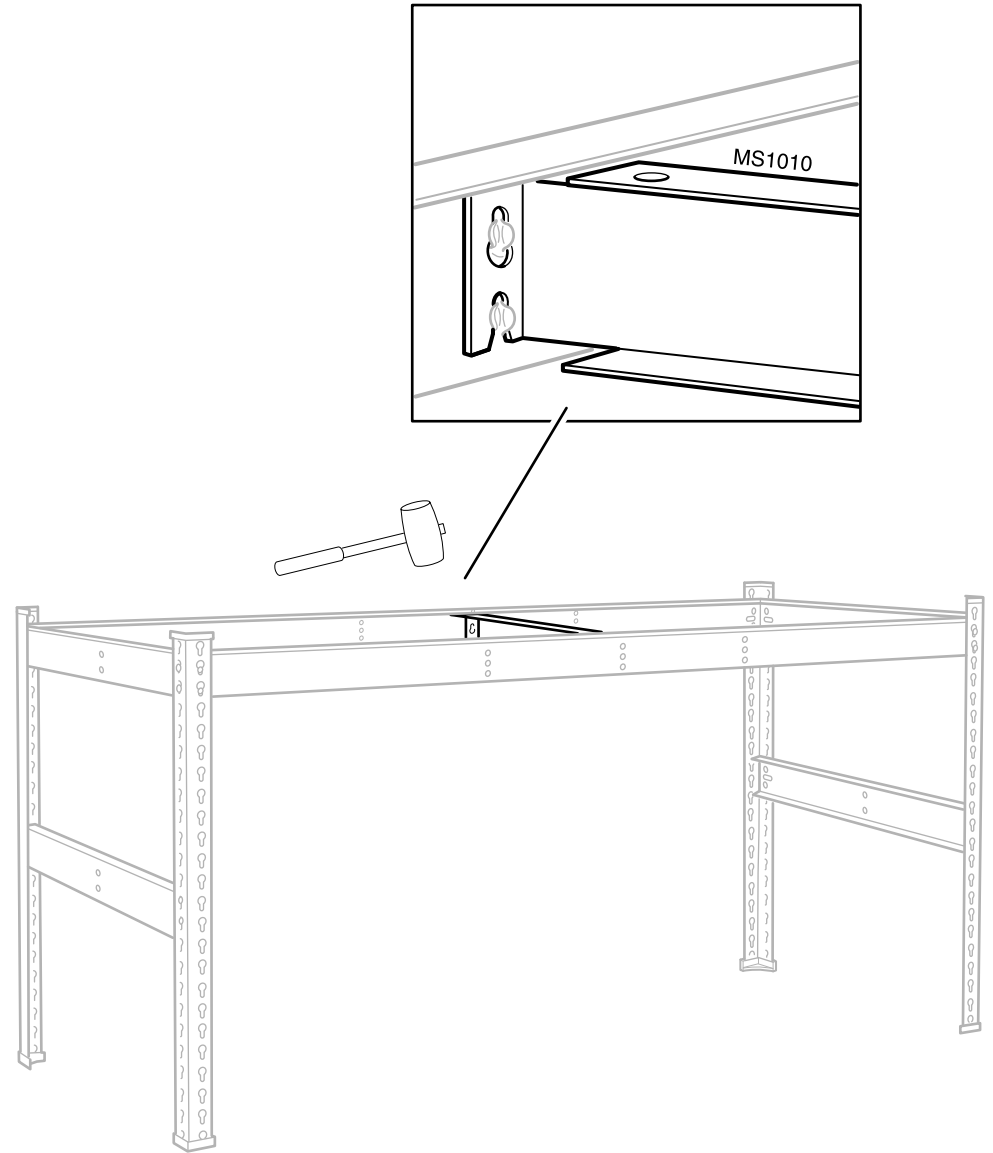
2



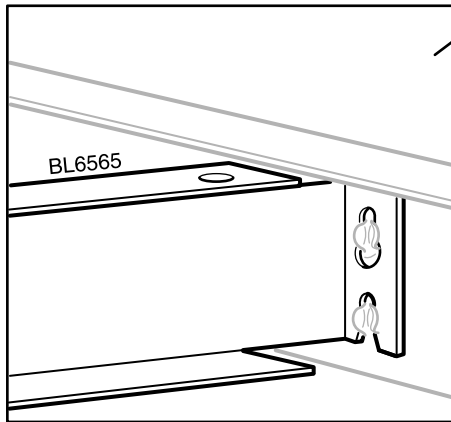
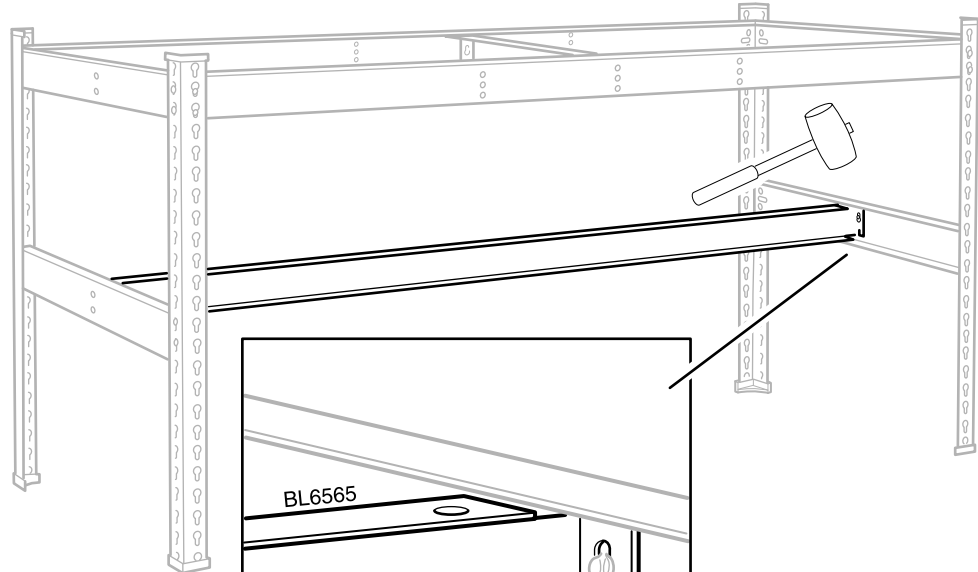
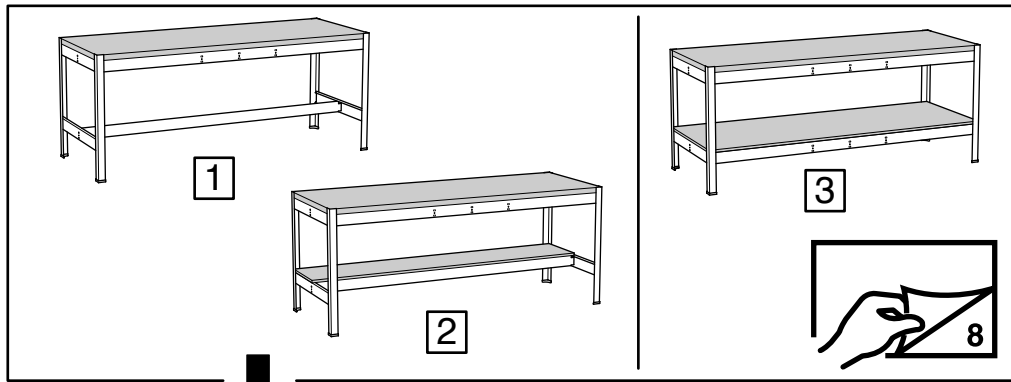
3



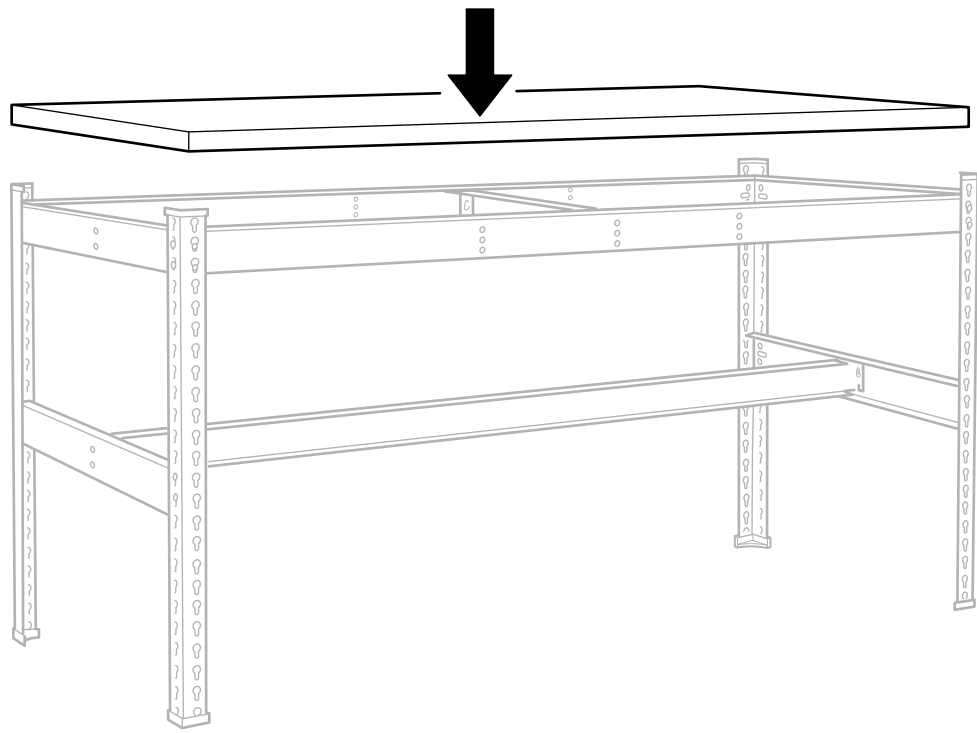
4



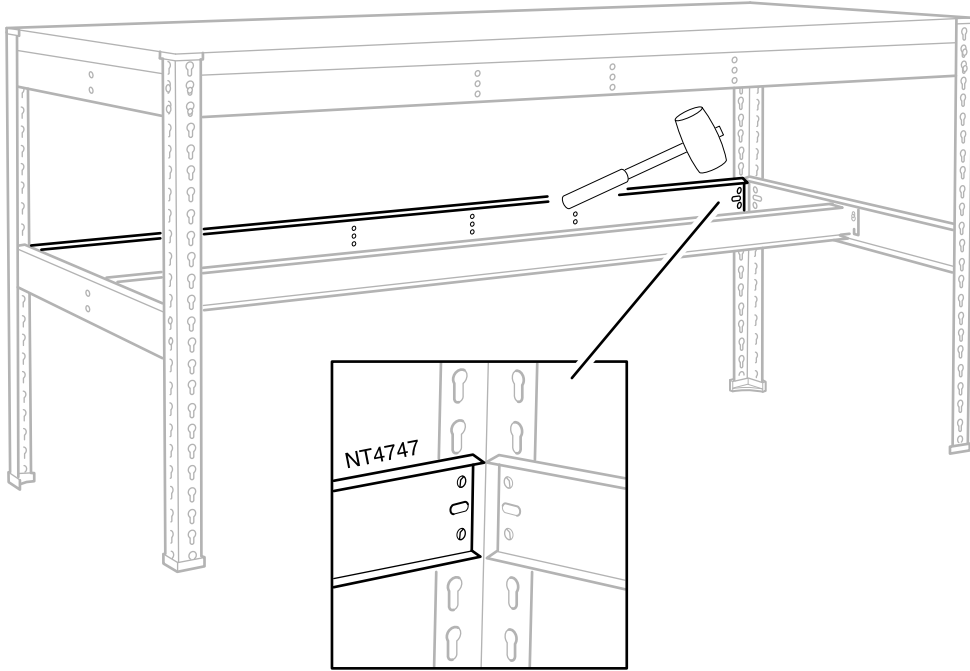
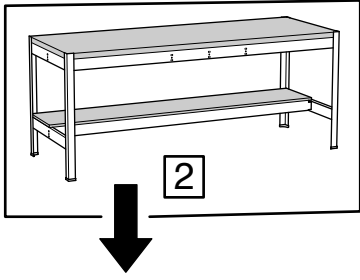
5



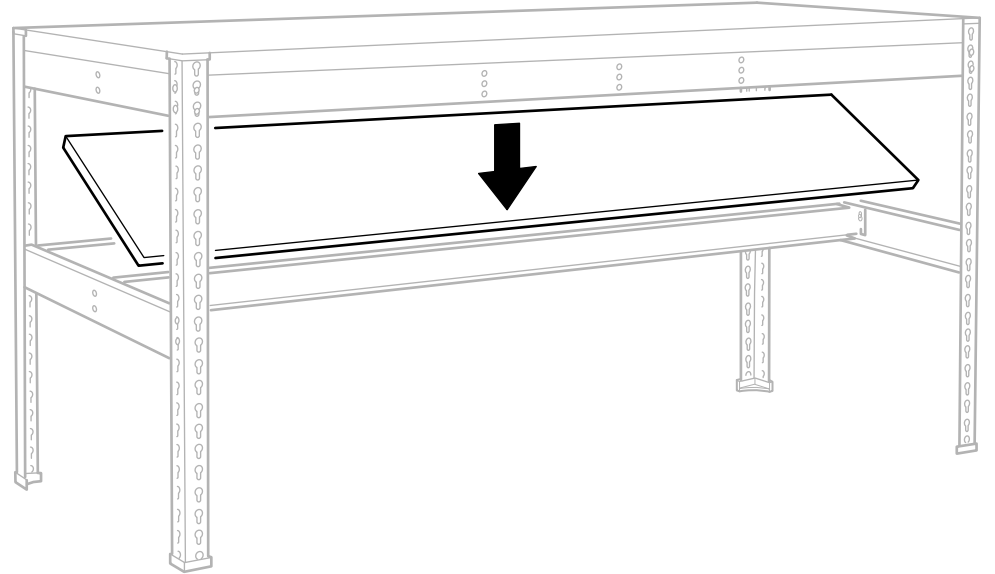
6



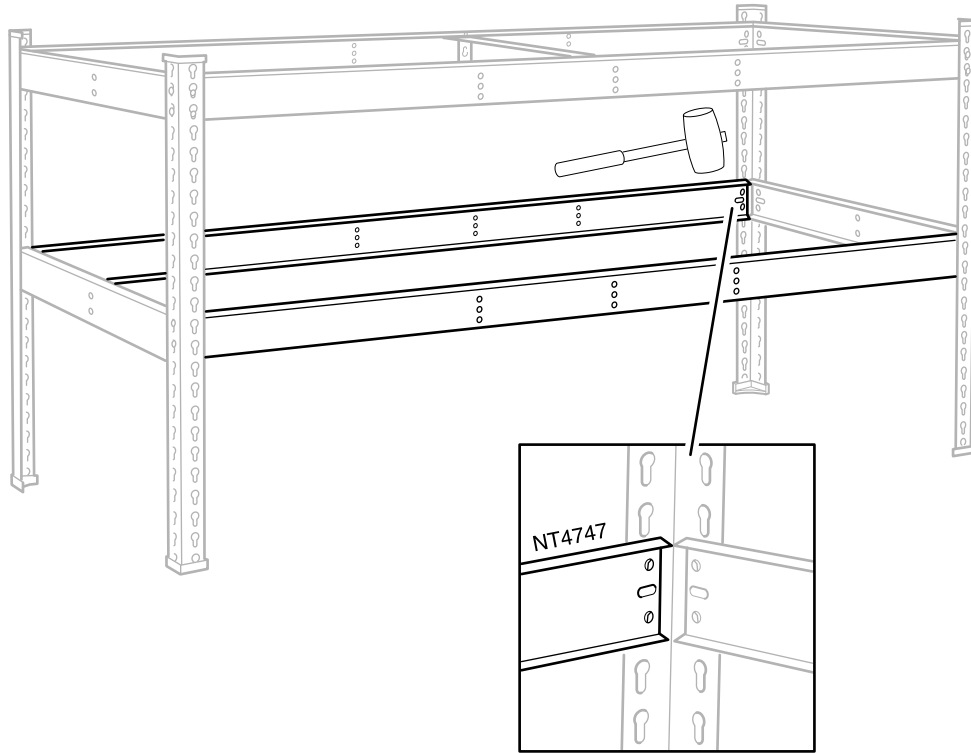
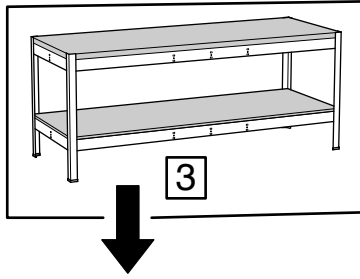
7



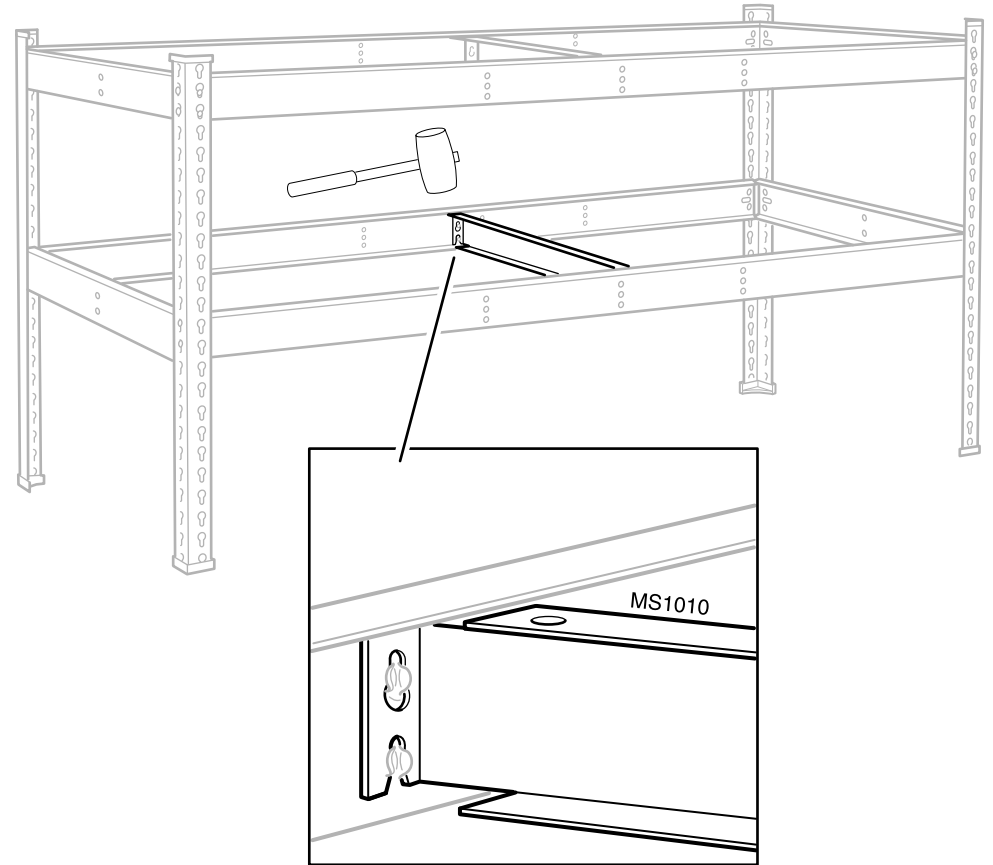
8



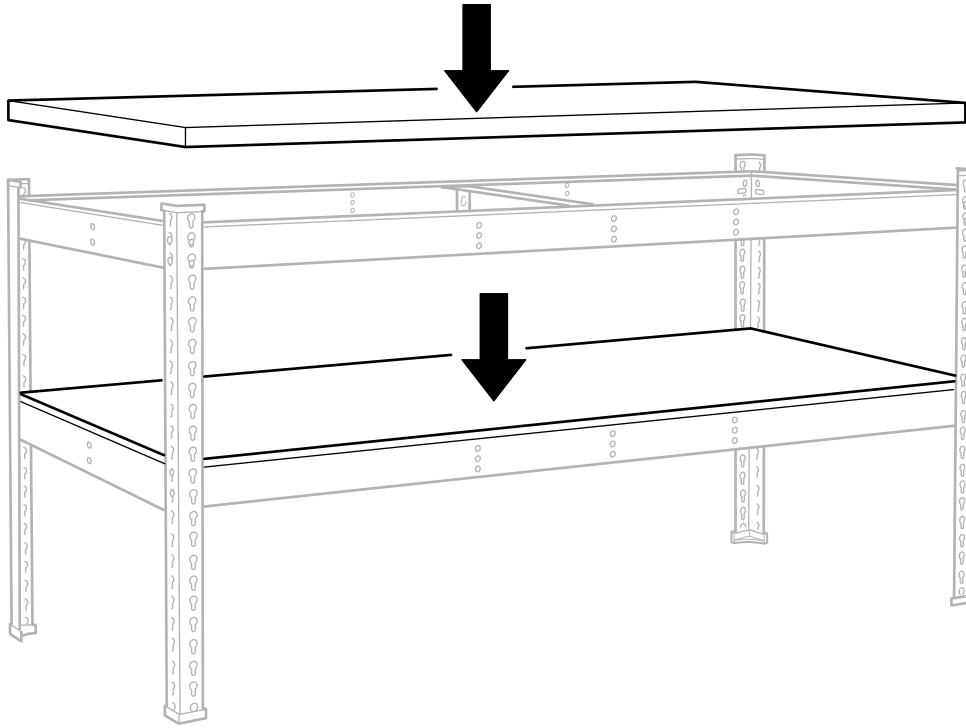
5



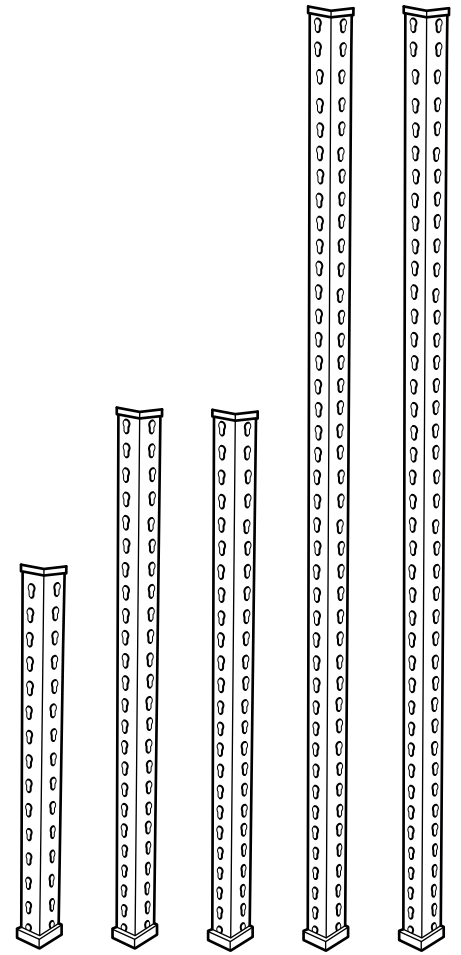
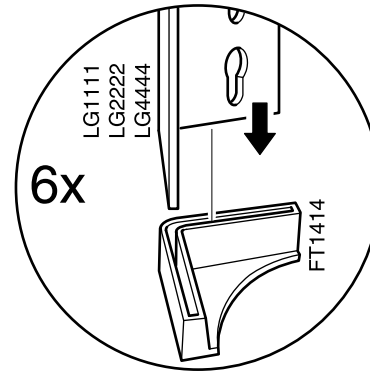
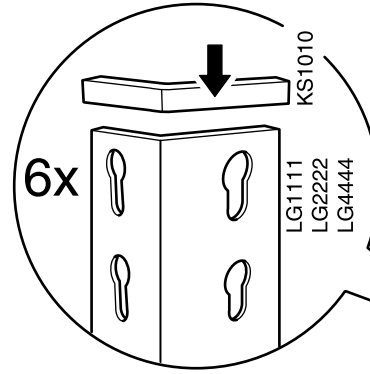
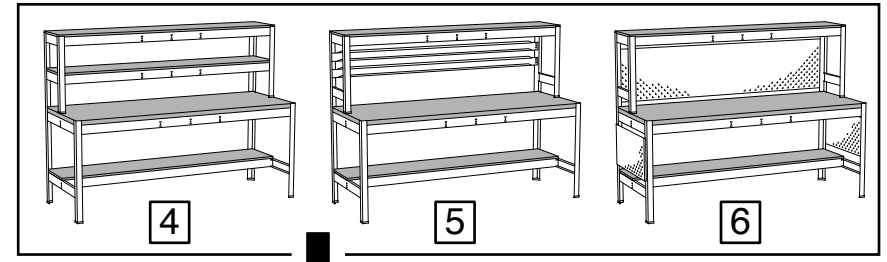
6



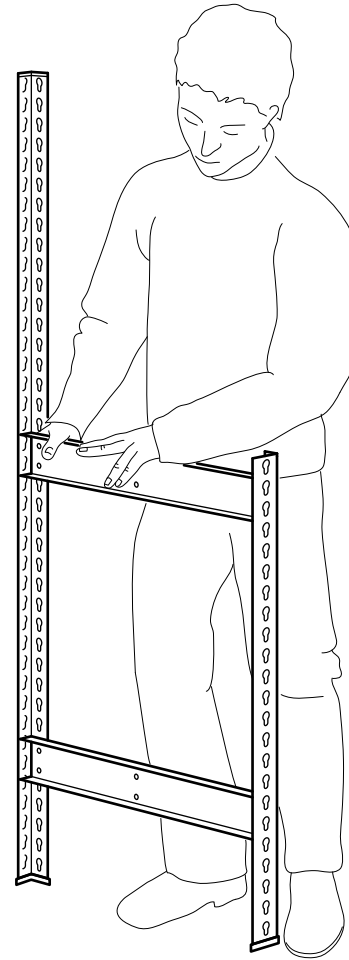
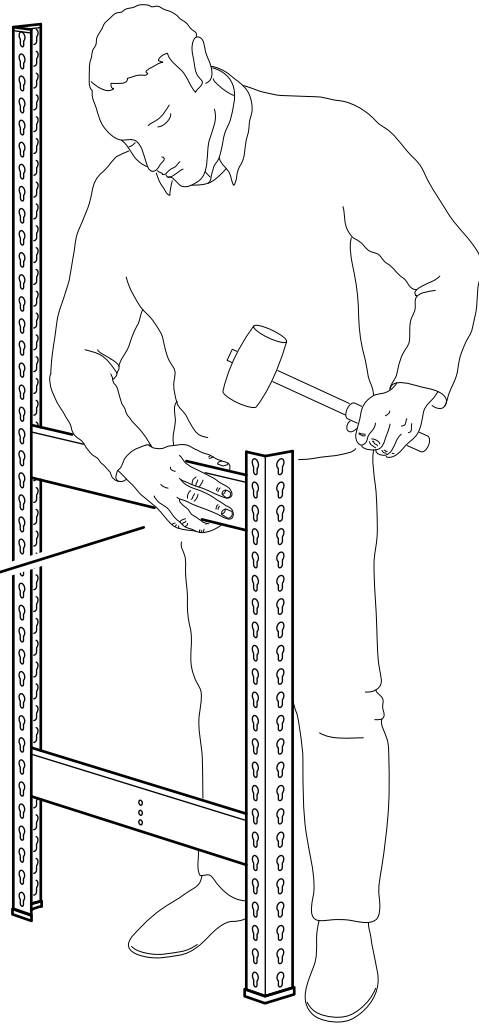
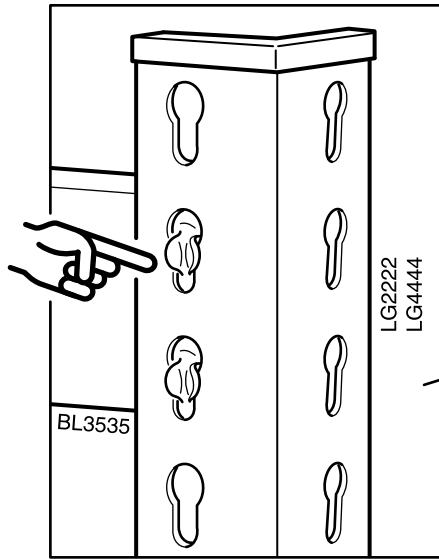
7



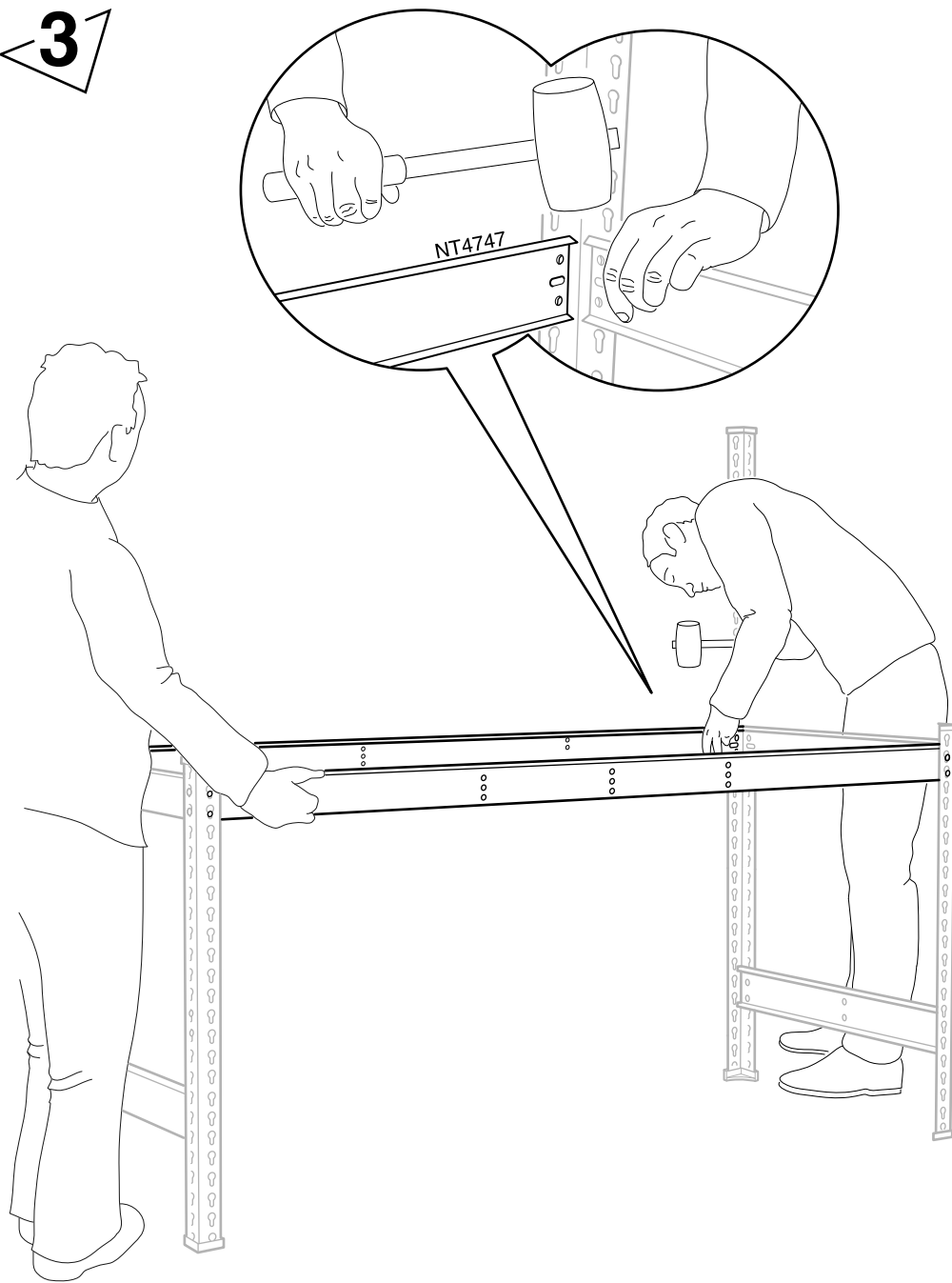
1



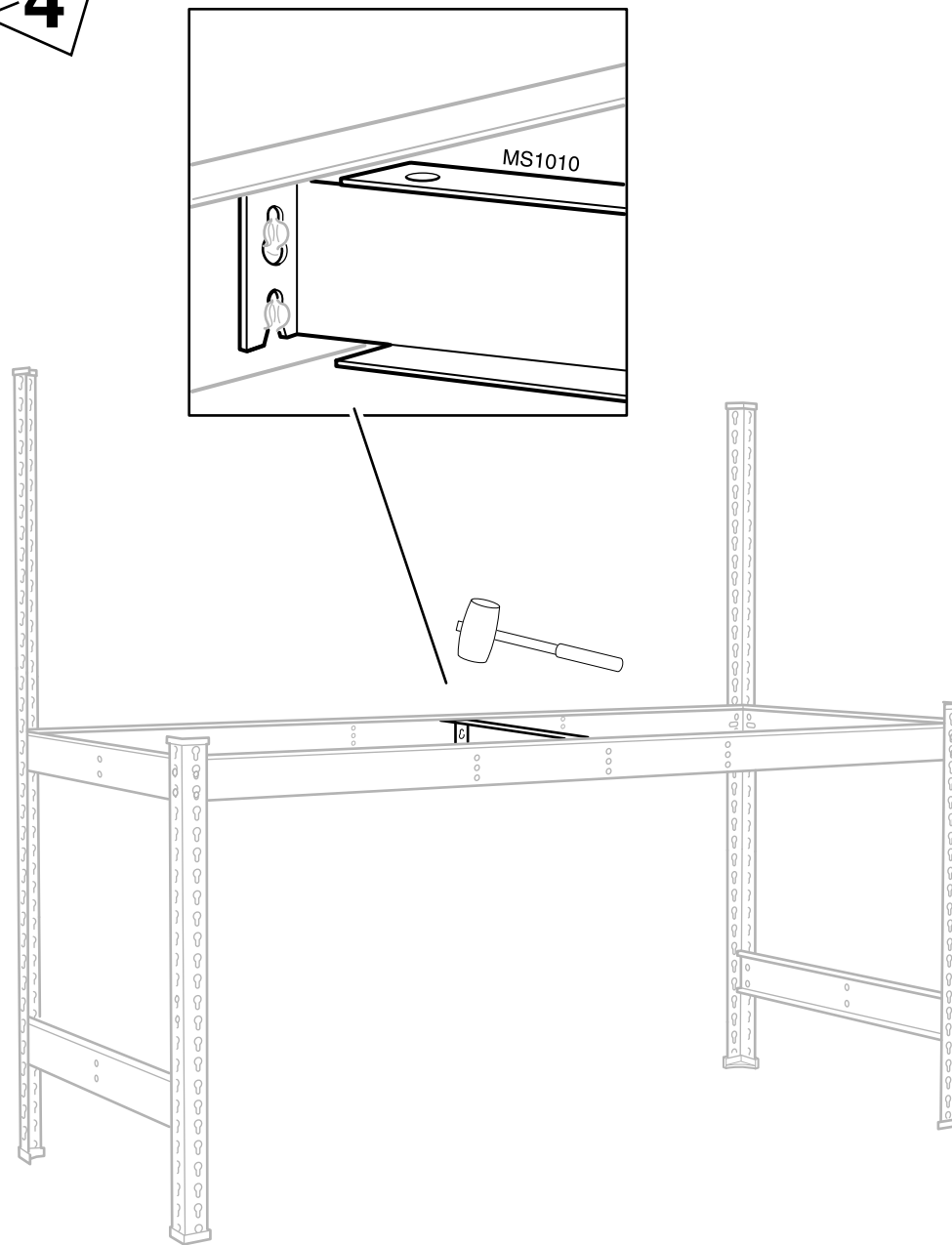
2

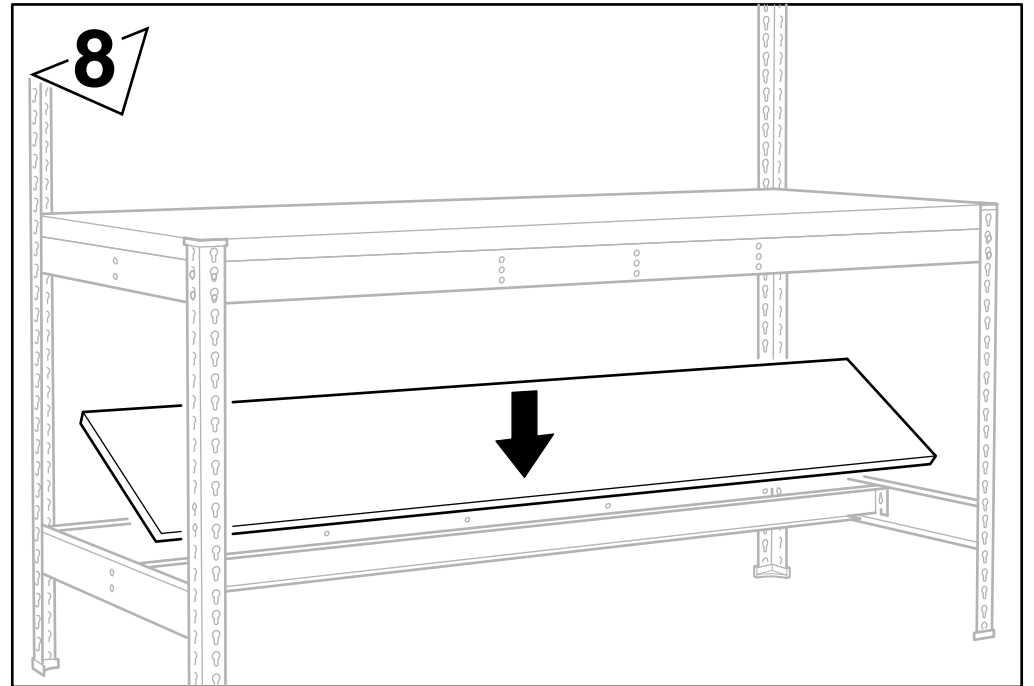
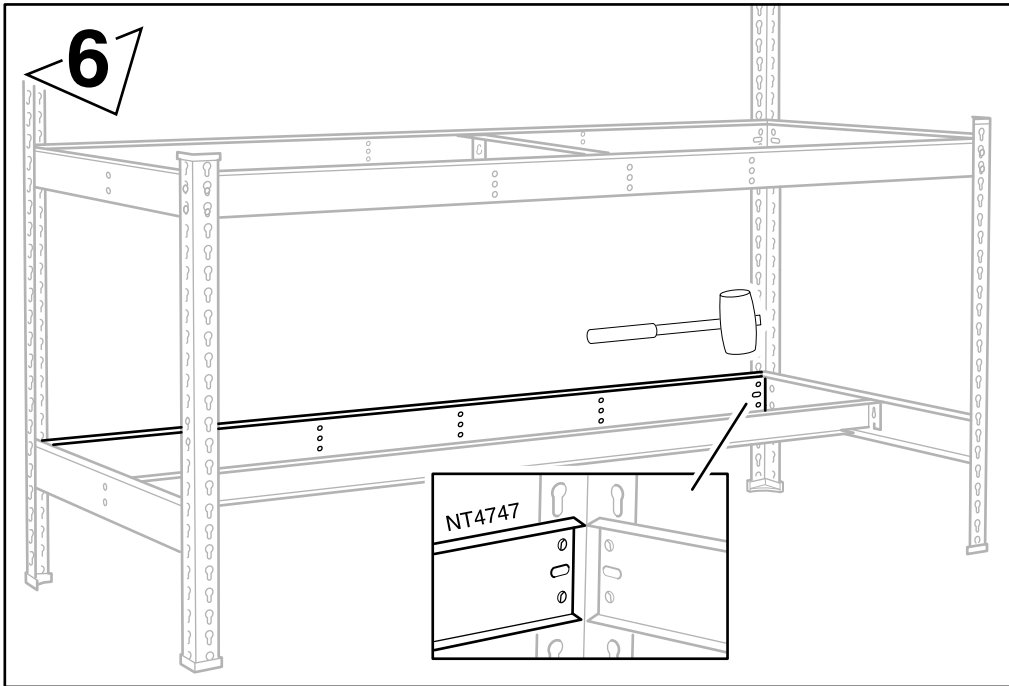
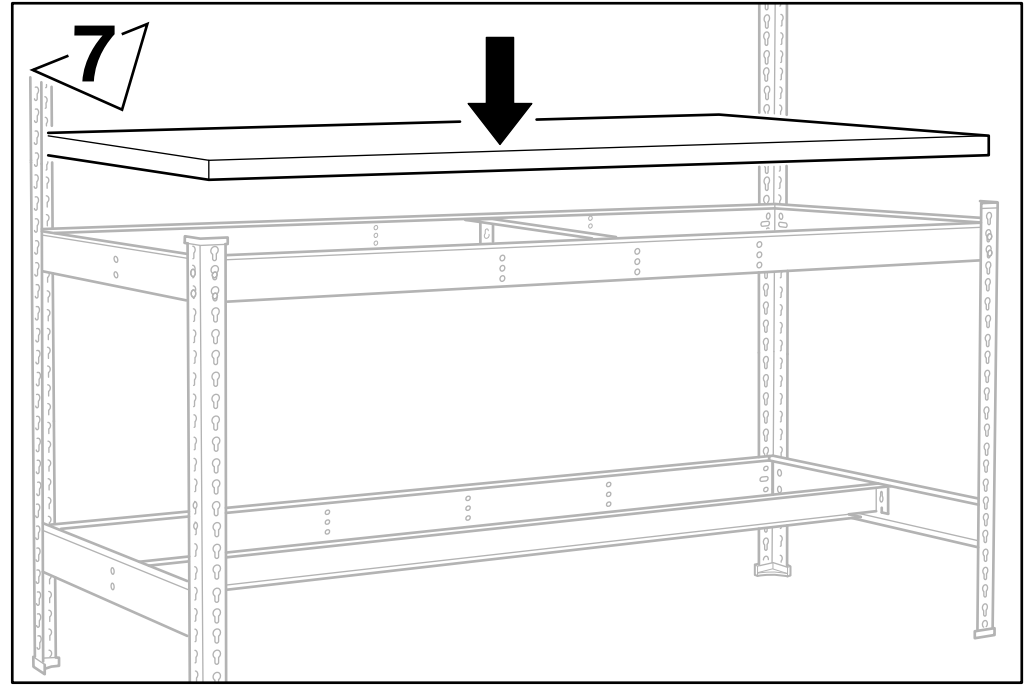
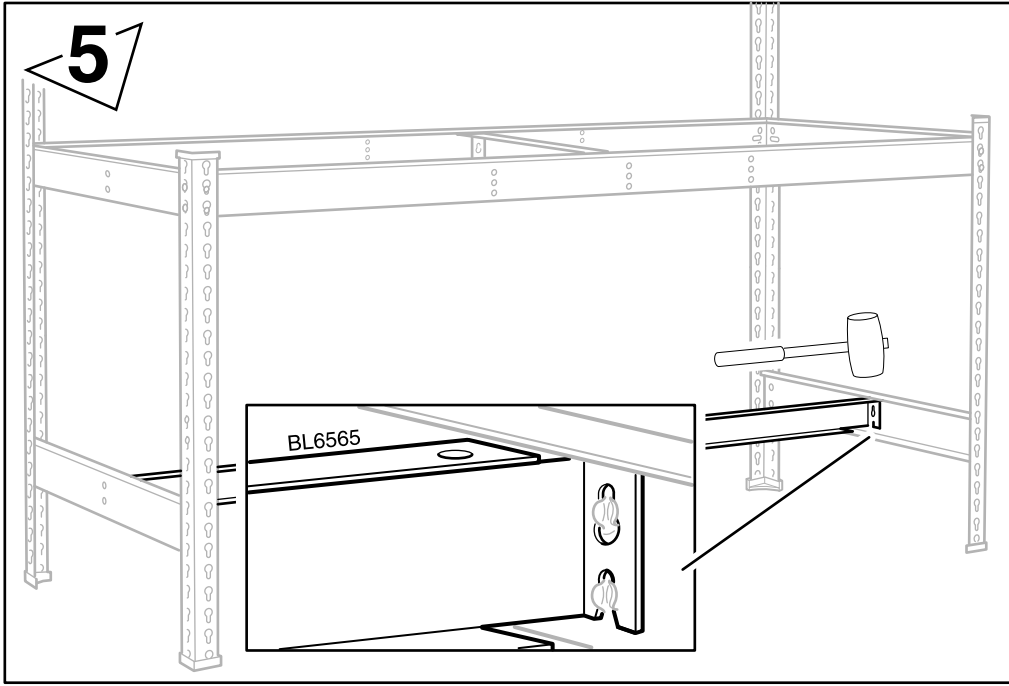


3

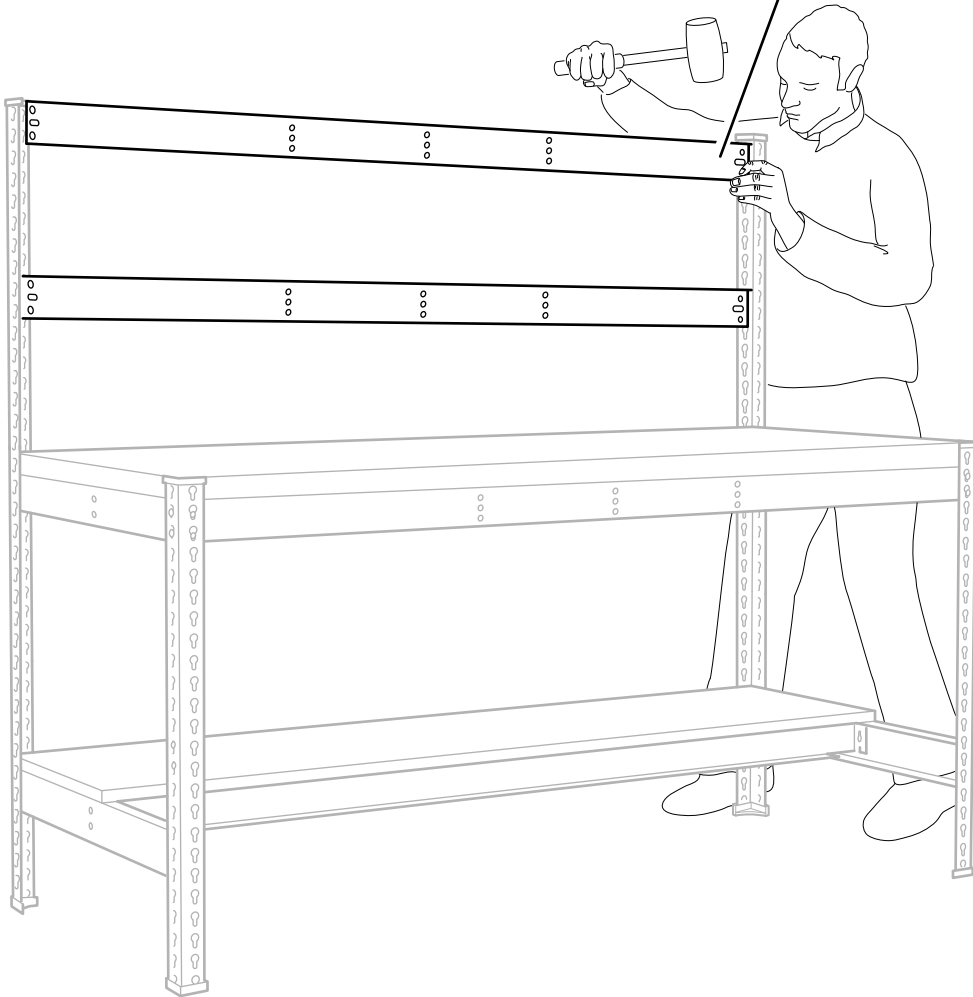
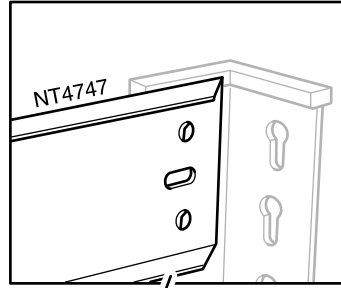
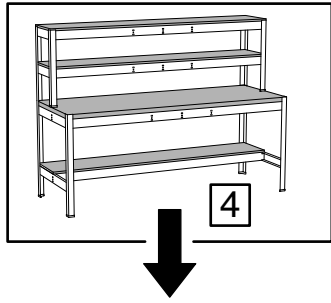


4

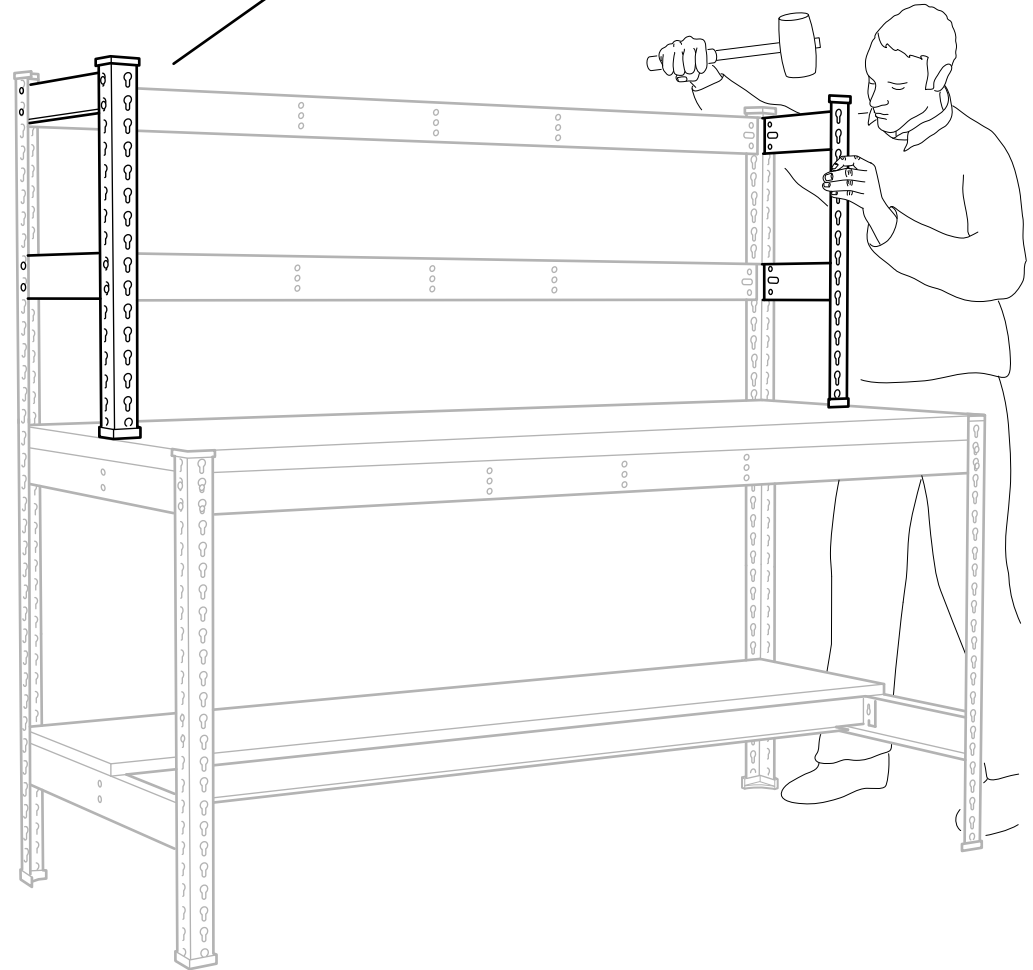
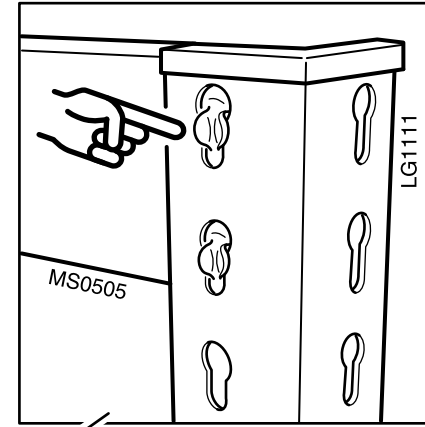




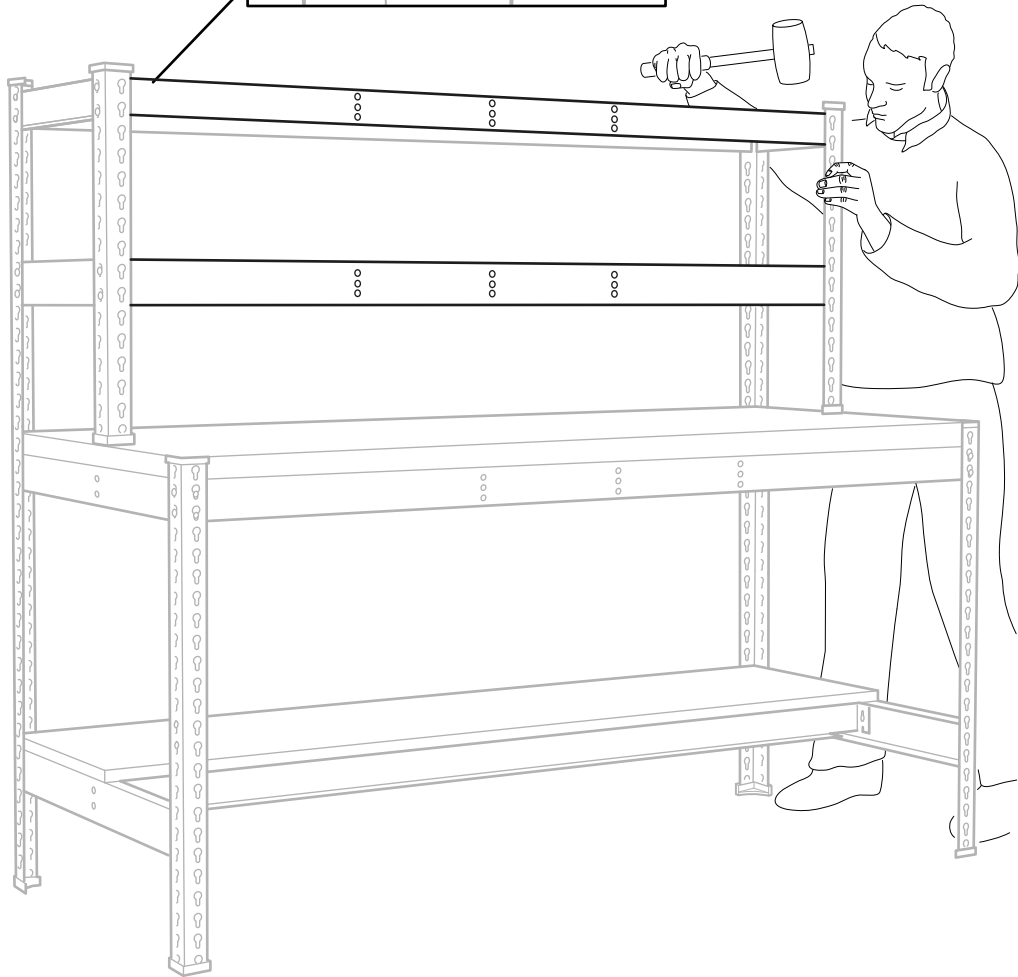
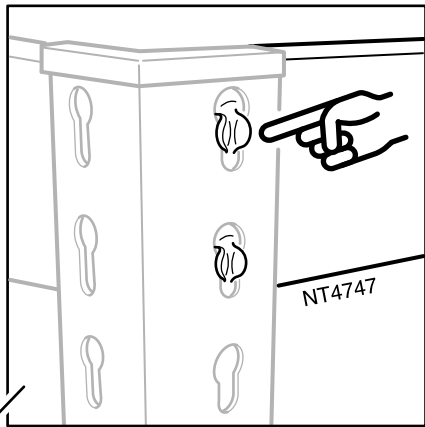
9



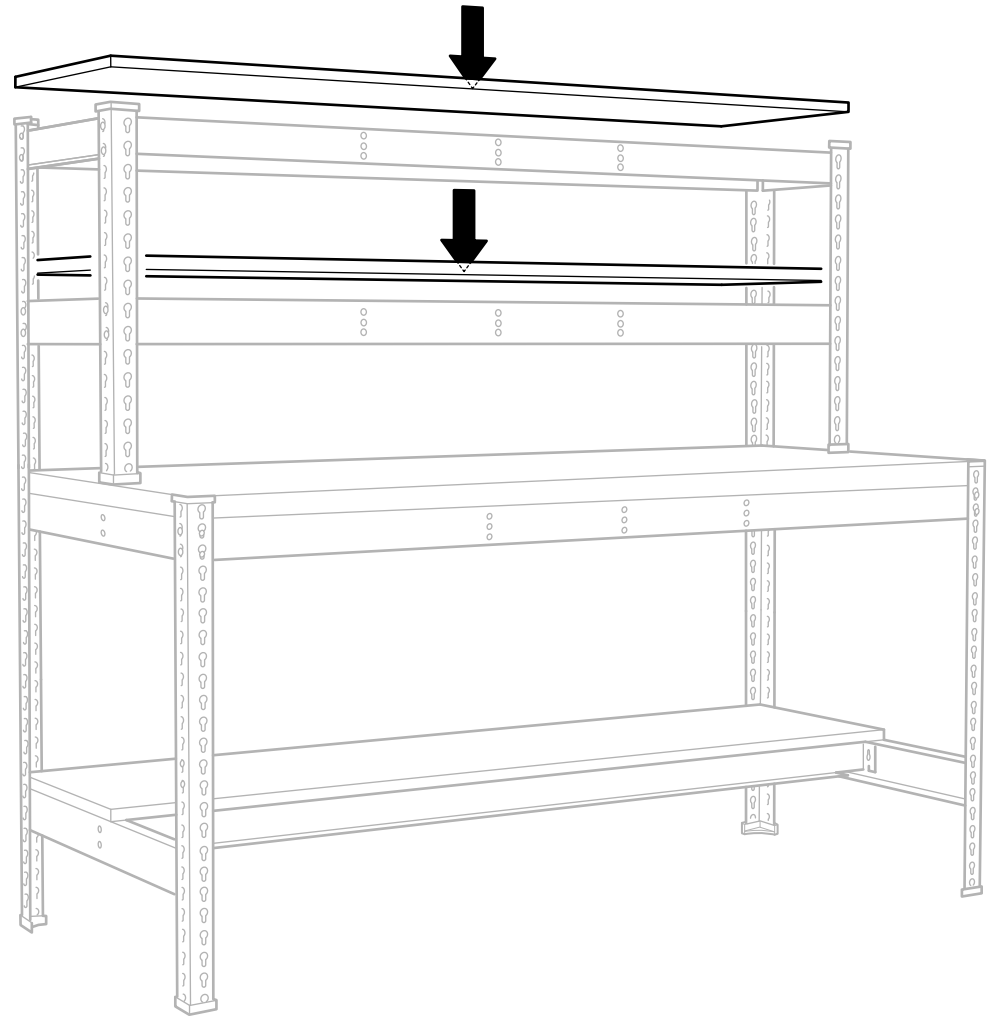
10



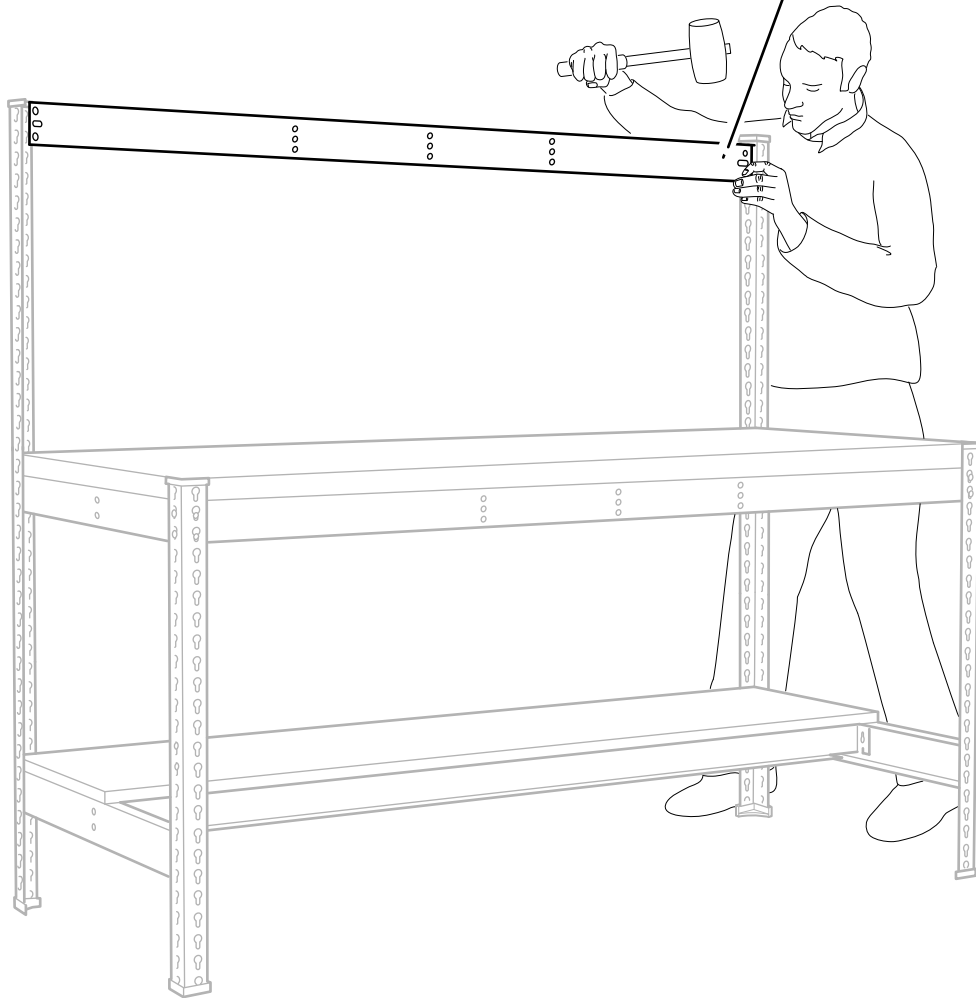
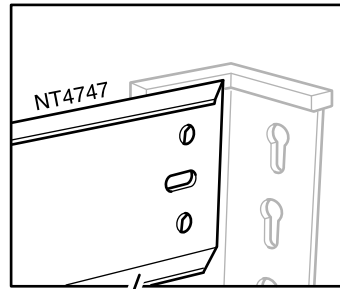
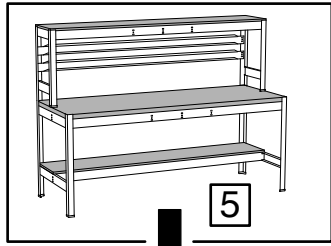
11



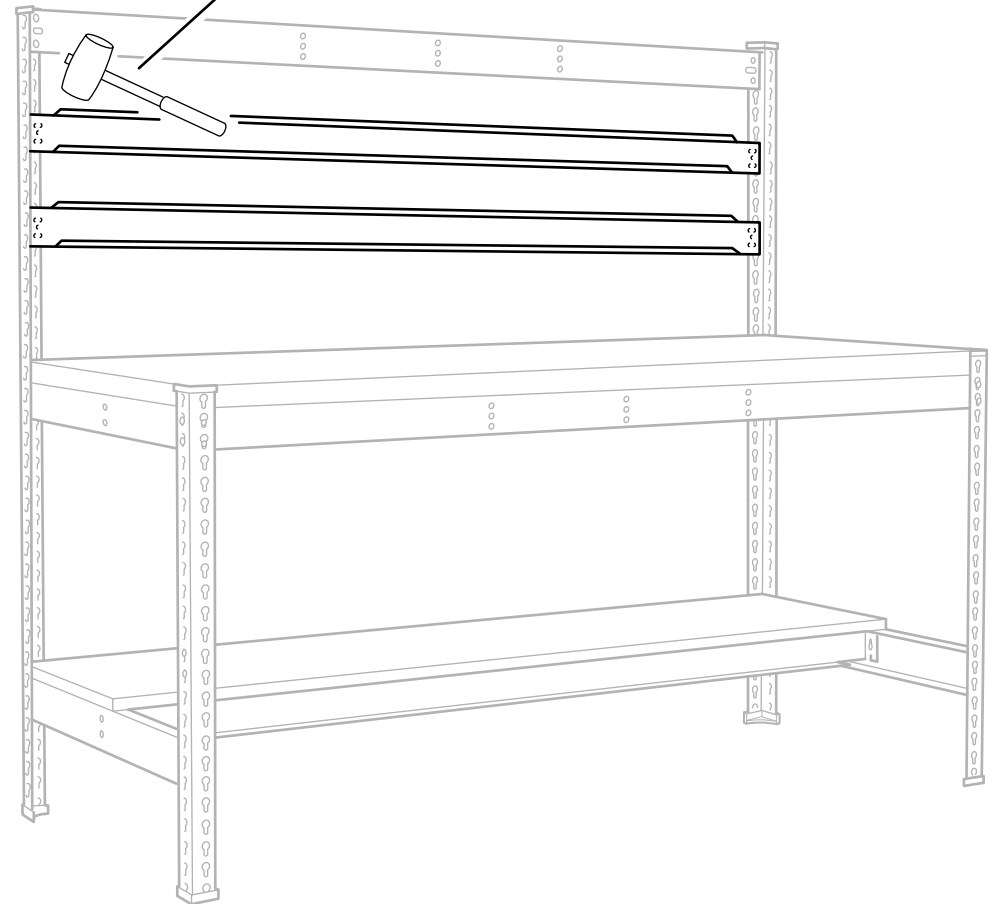
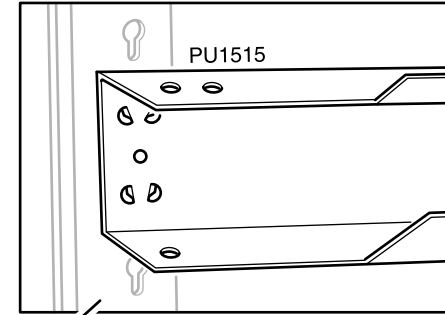
12

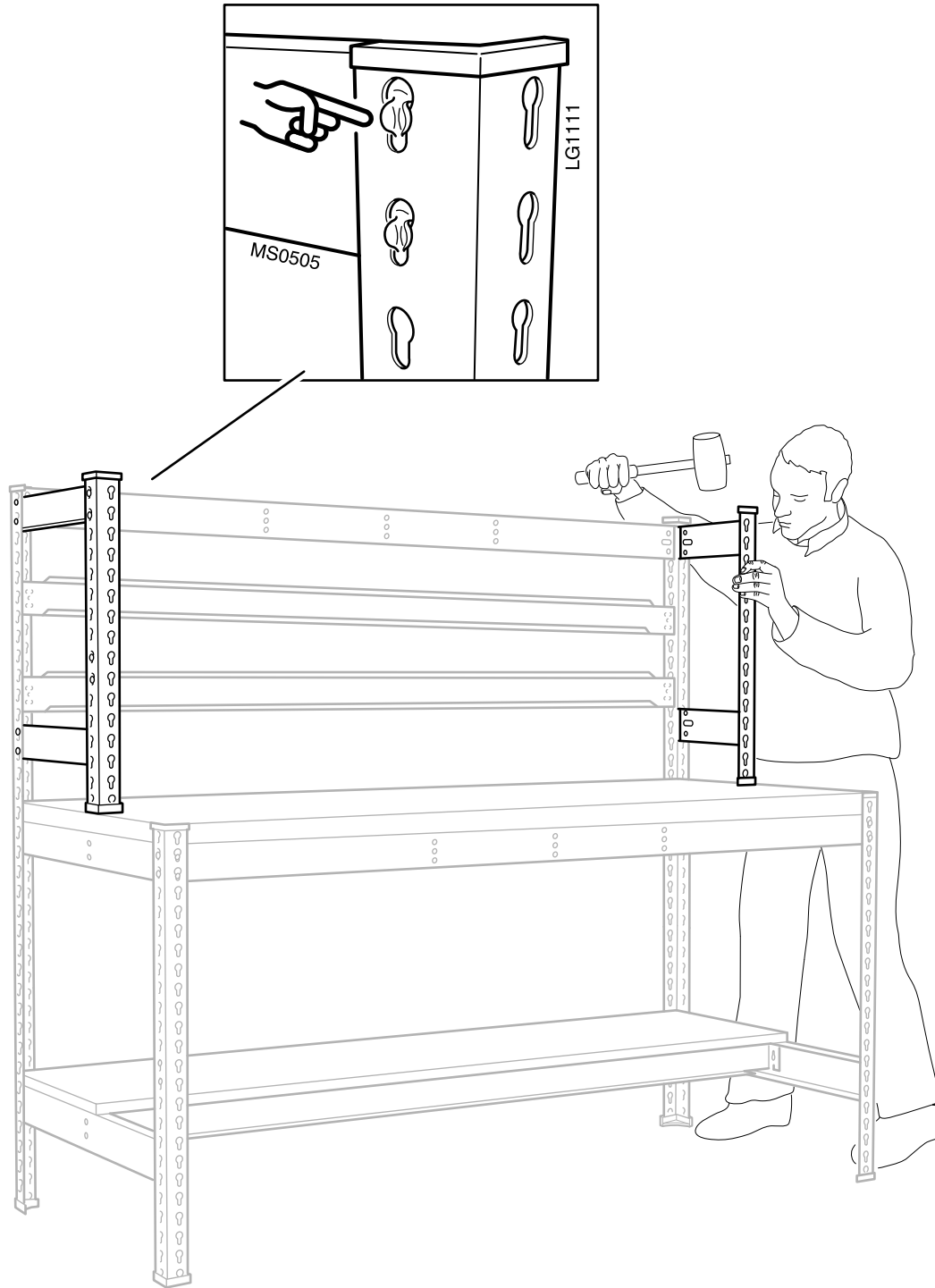


9

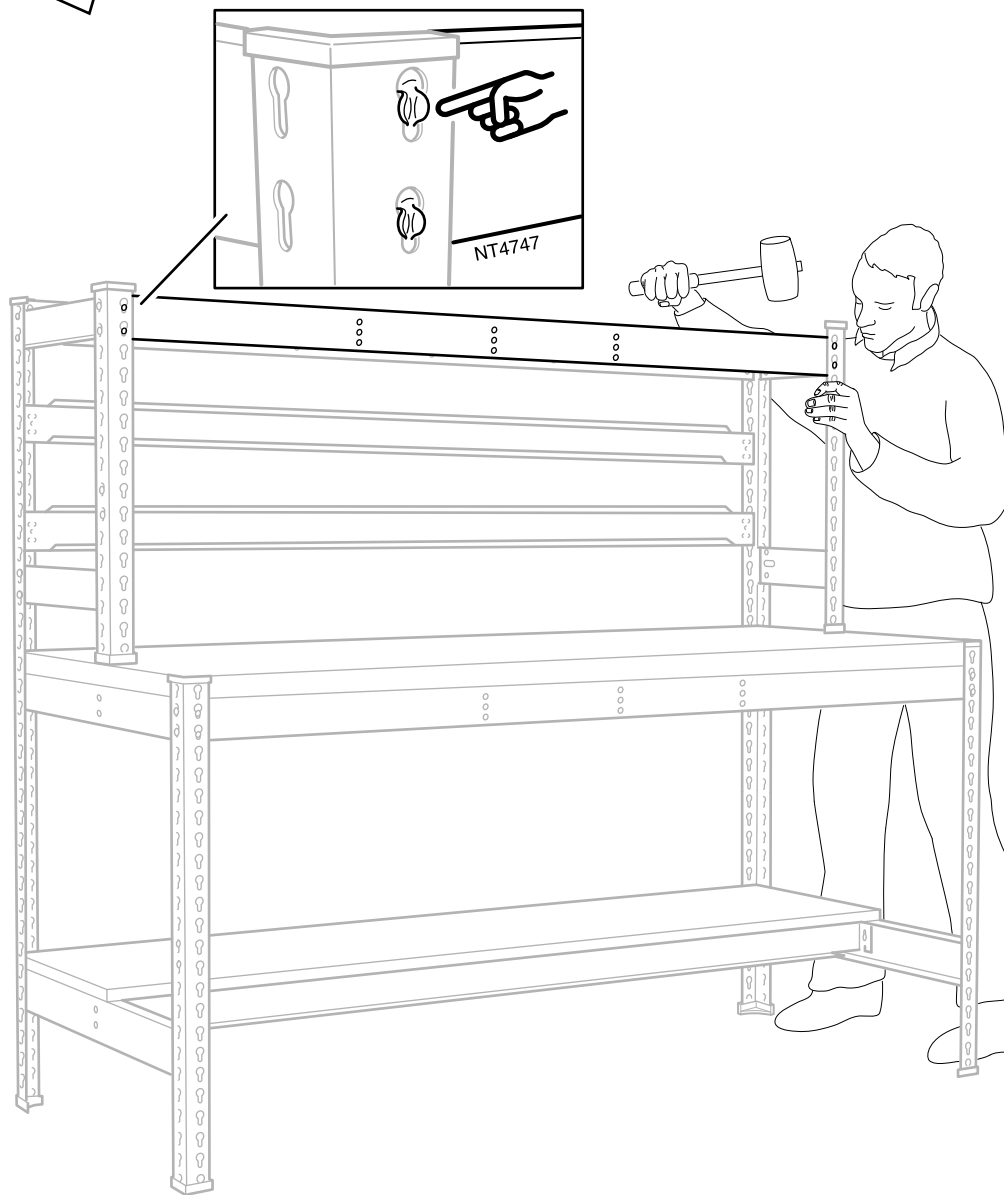


10

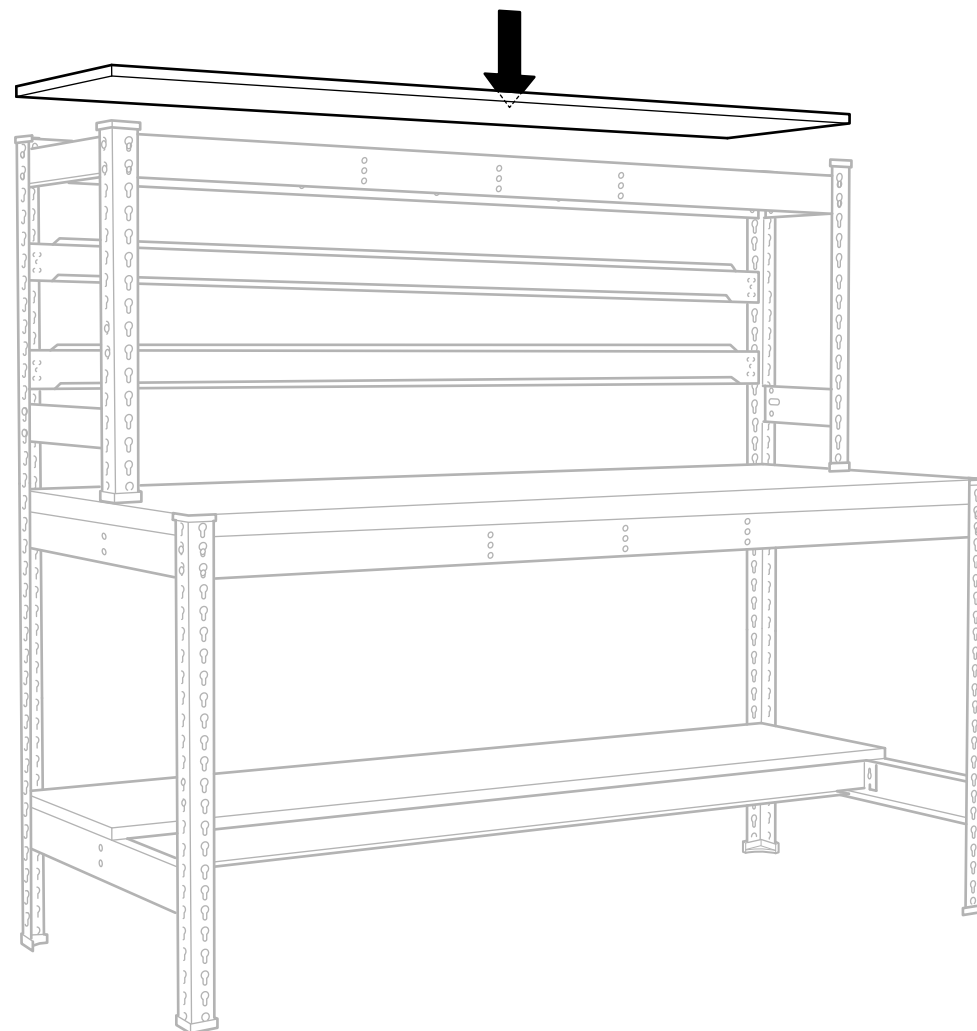




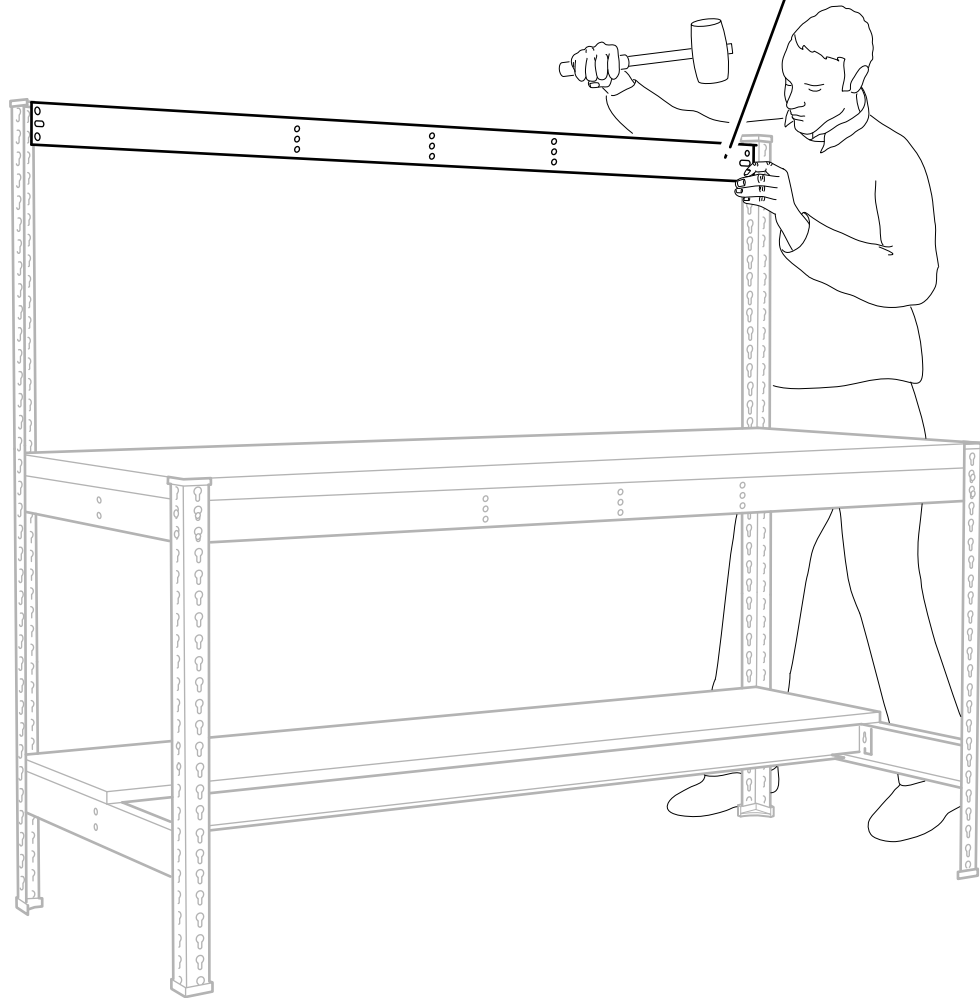
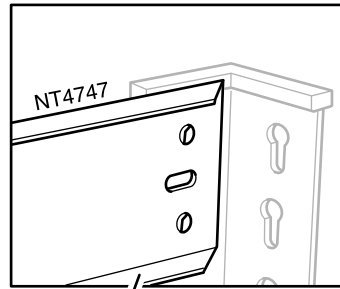
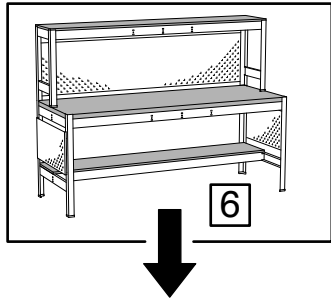
12



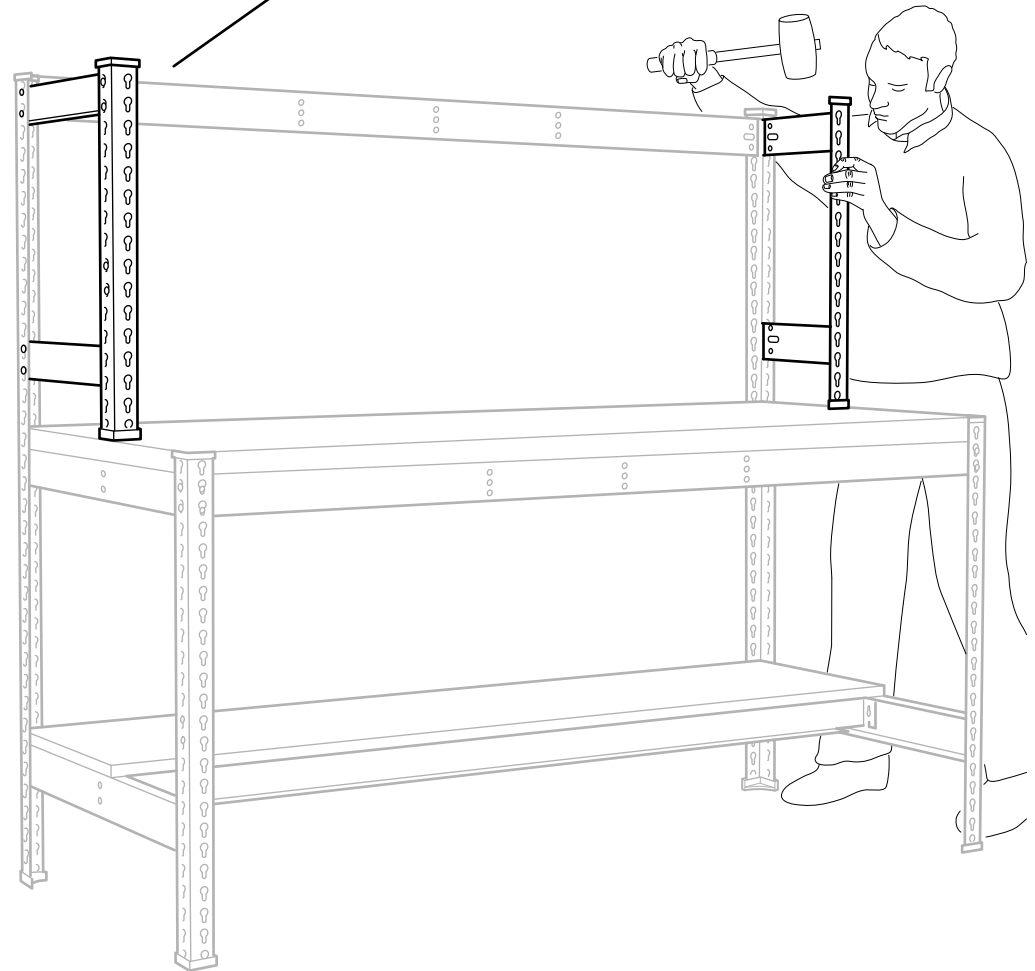
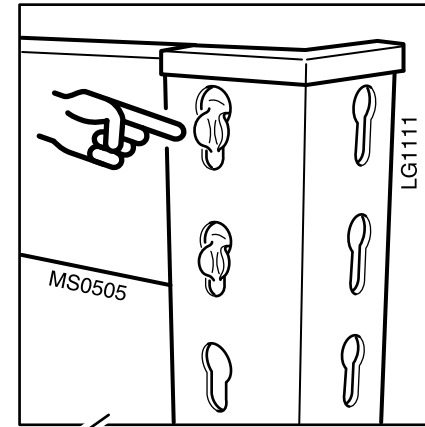
13



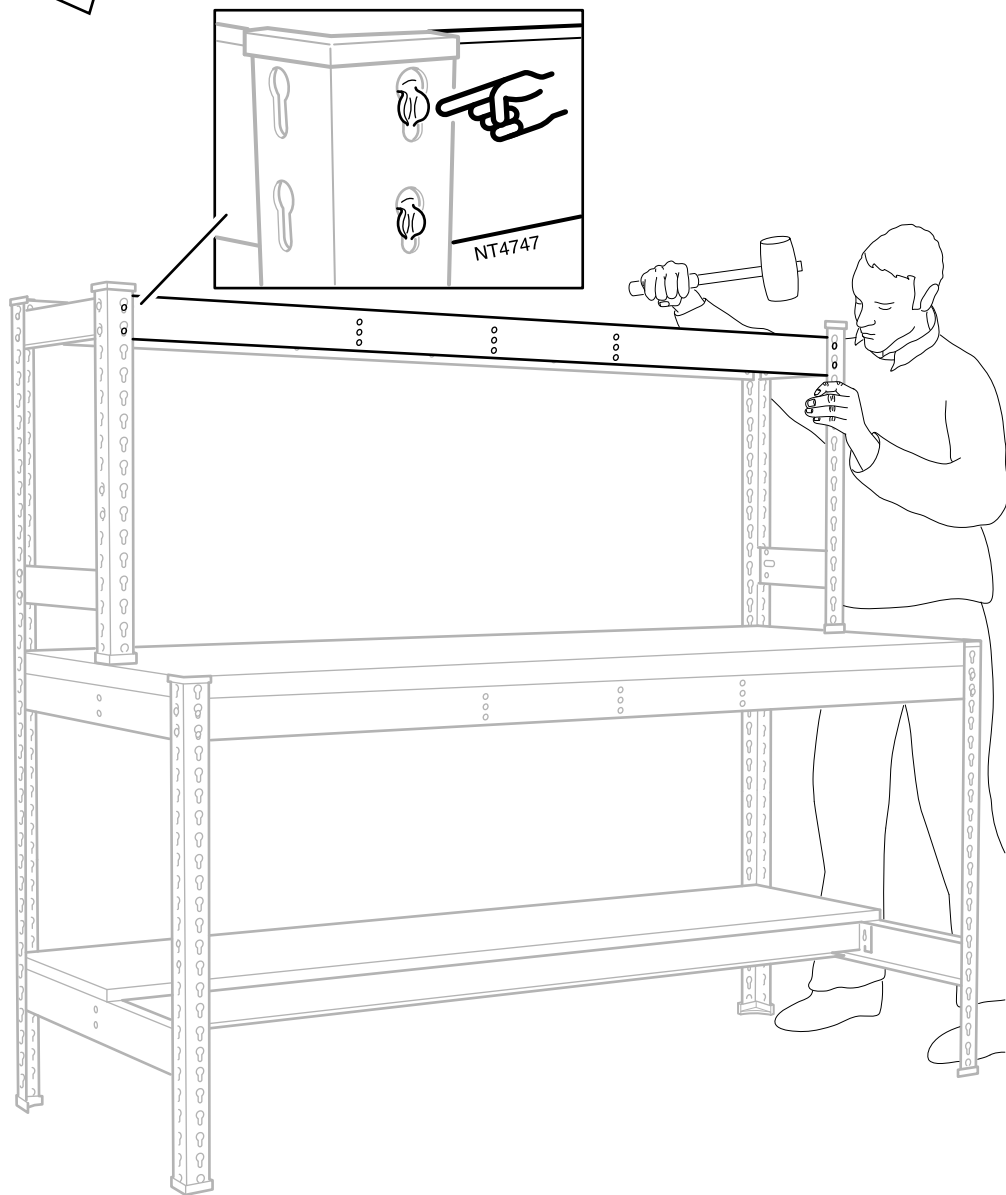
9



10



12



13

